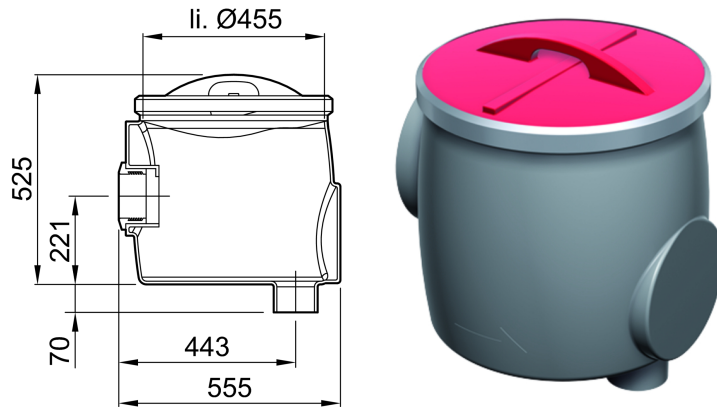


Sampling pot DN 100

Product information



Used with

- Grease separator LipuJet-P/LipuSmart-P
 - NS 1 – 4
- Starch separator FapuJet-P-OAP
 - NS 0.5 – 1

Description

- For installation in vertical pipes DN 100 going to grease separator
- Round shape with
 - Coupling socket seal (material SBR) on inlet and spigot on outflow
 - Odour-proof maintenance opening DN 450