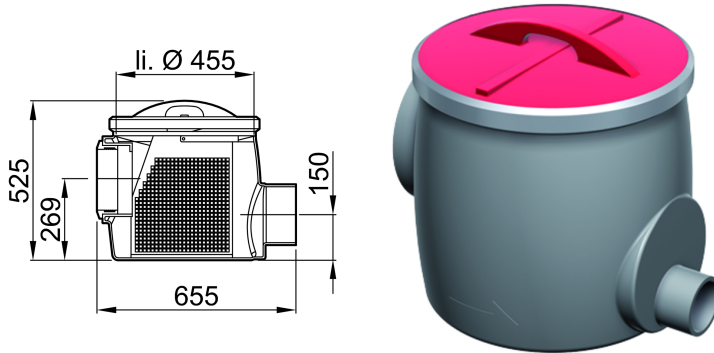


Coarse trap DN 200

Product information



Used with

- Grease separator LipuJet-P
- NS 15 – 22,5

Description

- For installation in vertical pipes DN 200 going to grease separator
- Round shape with
 - Coupling socket seal (material SBR) on inlet and spigot on outflow
 - Basket made from stainless steel, material grade 316 to retain coarse substances
 - Odour-proof maintenance opening DN 450