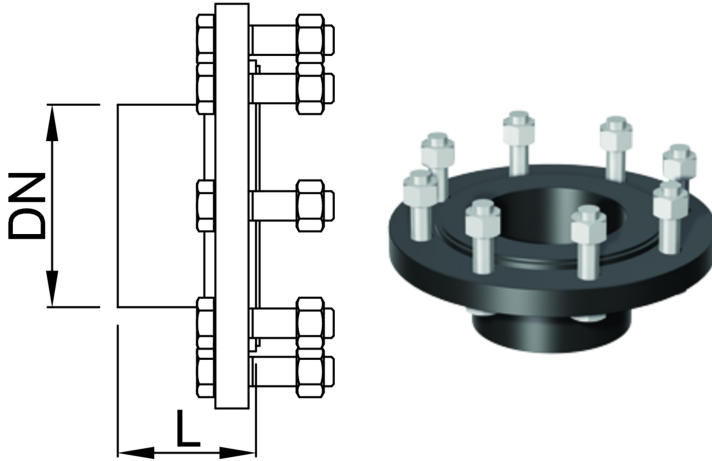


Flange connection part

Product information



Used with

- Stop valve DN 200
- 7610.00.12

Description

- Stainless steel, material grade 304
- Seal: NBR
- DN 200
- Length (L): 120 mm