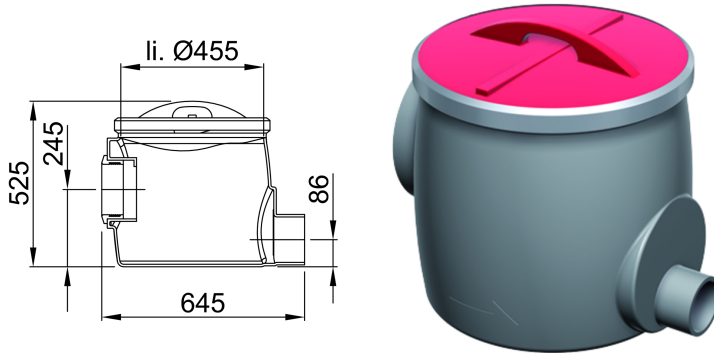


# Sampling pot DN 150

## Product information

---



## Used with

- Grease separator LipuJet-P/LipuSmart-P
  - NS 5.5 – 10
- Starch separator FapuJet-P-OAP
  - NS 2

## Description

- For installation of horizontal pipes DN 150 to grease separator
- Round shape with
  - Coupling socket seal (material SBR) on inlet and spigot on outflow
  - Odour-proof maintenance opening DN 450