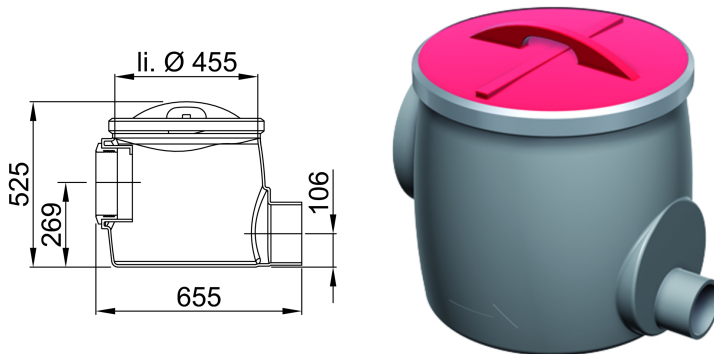


# Sampling pot DN 200

## Product information

---



### Used with

- Grease separator LipuJet-P
- NS 15 – 22,5

### Description

- For installation of horizontal pipes DN 200 to grease separator
- Round shape with
  - Coupling socket seal (material SBR) on inlet and spigot on outflow
  - Odour-proof maintenance opening DN 450