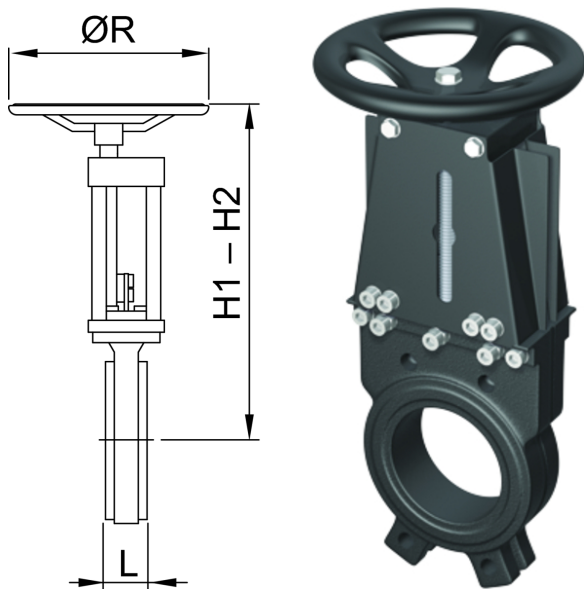


# Stop valve

## Product information

---



### Used with

- Grease separator for free-standing installation
- NS 15-20

### Description

- Made of cast iron
- Penstock plate, spindle made from stainless steel, material grade 304
- DN 200
- Length (L): 60 mm
- Spindle travel (H1 - H2): 542 - 743 mm
- Manual wheel diameter: 250 mm