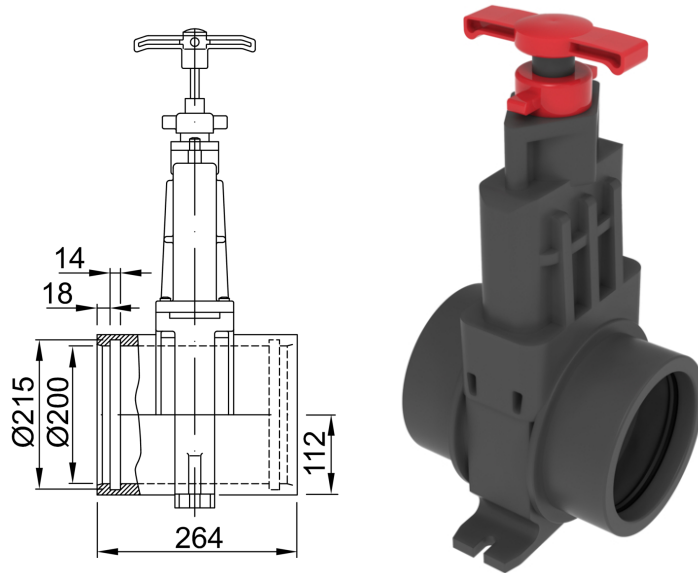


Inlet valve DN 200

Product information



Used with

- Wastewater lifting plant
 - Multi-Star DDP 1/2
- Grease separator made of polyethylene
 - From NS 15

Description

- Made out of PVC
- Push socket 200 mm with lip sealing ring on both sides
- Total dimensions: 264 x 637 mm (L x H)