

Eco-Jet-O basic design

Product information

ACO product advantages

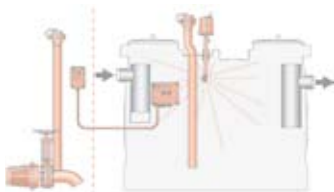
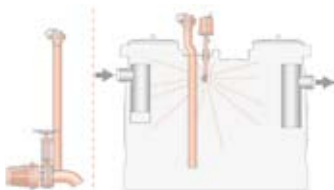
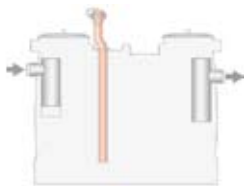
- Proven stability: 25 years (minimum service life)
- Upgradeable to extension stage 1-3
- Minimization of disposal and maintenance costs via economical gradation of the nominal size
- Small installation clearance
- Marginal weight

- Grease separator plant in accordance with EN 1825 and DIN 4040-100

- For free-standing installation in rooms - frost free
- With integrated sludge trap
- Operator side: right/left
- Suction and disposal sump with de-watering socket R 1"
- Odour-tight maintenance opening, diameter: 450 mm
- Inlet and drainage connections in accordance with EN 877
- System ACO Passavant
 - Official approval Z-54.1-414



Ausbaustufe: Basisausführung B



Features of basic design:

- Disposal and cleaning via covers
- Odour build-up during disposal and cleaning

Features of extension stage 1:

- Connection for direct suction
- Odour build-up during cleaning

Features of extension stage 2:

- Connection for direct suction
- High-pressure cleaning with manual operation
- Optionally disposal pump available
- No odour build-up

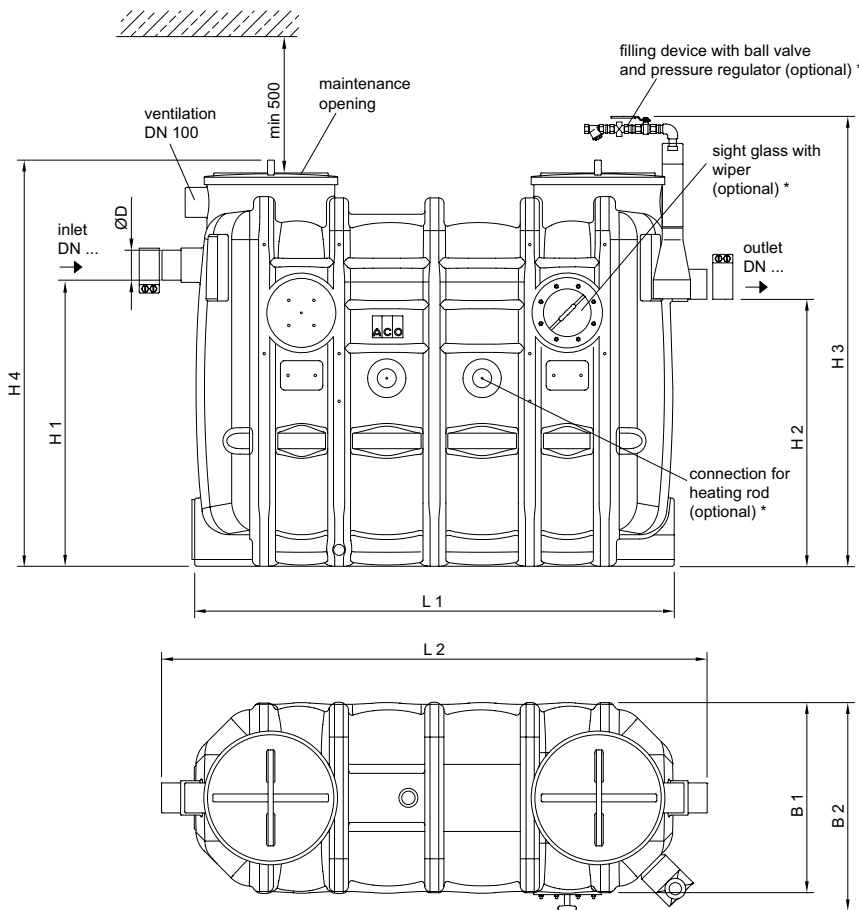
Features of extension stage 3:

- Connection for direct suction
- Fully automatic operation
- Optionally disposal pump and remote control available
- No odour build-up

Ordering information

Nominal size	Nominal width	Capacity			Weight		Article No.
		Sludge trap [l]	Grease storage [l]	Total capacity [l]	Empty [kg]	Full [kg]	
NS 1	DN 100	106	100	320	62	382	3551.34.00
NS 2	DN 100	210	100	440	70	510	3552.34.00
NS 3	DN 100	300	150	630	80	710	3553.34.00
NS 4	DN 100	400	200	830	95	925	3554.34.00
NS 5,5	DN 150	725	360	1430	170	1600	3555.34.00
NS 7	DN 150	800	400	1600	187	1787	3557.34.00
NS 8,5	DN 150	940	475	1900	208	2108	3558.34.00
NS 10	DN 150	1000	520	2000	220	2220	3560.34.00

Dimensions



displayed:
 NS4, operating side right,
 operating side left would show all components
 (filling device, sight glass) positioned
 mirror-inverted to axis.

* not included in the scope of delivery

Grease separator
Free-standing installation

Nominal size	Dimensions								
	L1 [mm]	L2 [mm]	H1 [mm]	H2 [mm]	H3 [mm]	H4 [mm]	B1 [mm]	B2 [mm]	D [mm]
NS 1	1100	1300	830	760	1480	1300	700	770	110
NS 2	1100	1300	1055	985	1680	1500	700	770	110
NS 3	1450	1650	1055	985	1680	1500	700	770	110
NS 4	1760	2000	1055	985	1680	1500	700	770	110
NS 5,5	1760	2000	1250	1180	1880	1700	950	1020	160
NS 7	1960	2200	1250	1180	1880	1700	950	1020	160
NS 8,5	2250	2485	1250	1180	1880	1700	950	1020	160
NS 10	2450	2690	1250	1180	1880	1700	950	1020	160

Eco-Jet-OD extension stage 1

Product information

ACO product advantages

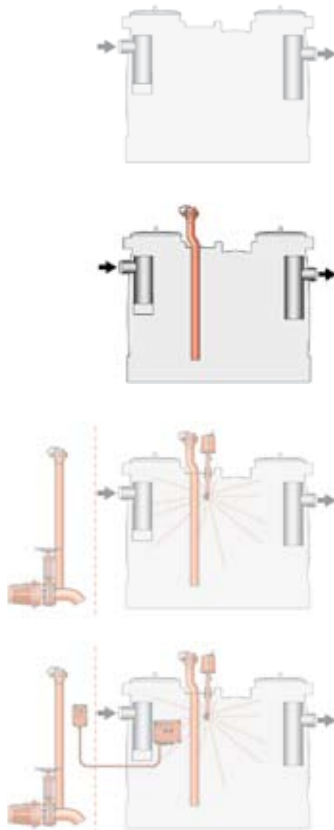
- Proven stability: 25 years (minimum service life)
- Direct emptying without odour build-up
- Upgradeable to extension stages 2 and 3
- Minimization of disposal and maintenance costs via economical gradation of the nominal size
- Small installation clearance
- Marginal weight

- Grease separator plant in accordance with EN 1825 and DIN 4040-100

- For free-standing installation in rooms - frost free
- With integrated sludge trap
- Operator side: right/left
- Disposal connection, Storz B coupling R 2½"
- Suction and disposal sump with de-watering socket R 1"
- Odour-tight maintenance opening, diameter: 450 mm
- Inlet and drainage connections in accordance with EN 877
- System ACO Passavant
 - Official approval Z-54.1-414



Ausbaustufe 1



Features of basic design:

- Disposal and cleaning via covers
- Odour build-up during disposal and cleaning

Features of extension stage 1:

- Connection for direct suction
- Odour build-up during cleaning

Features of extension stage 2:

- Connection for direct suction
- High-pressure cleaning with manual operation
- Optionally disposal pump available
- No odour build-up

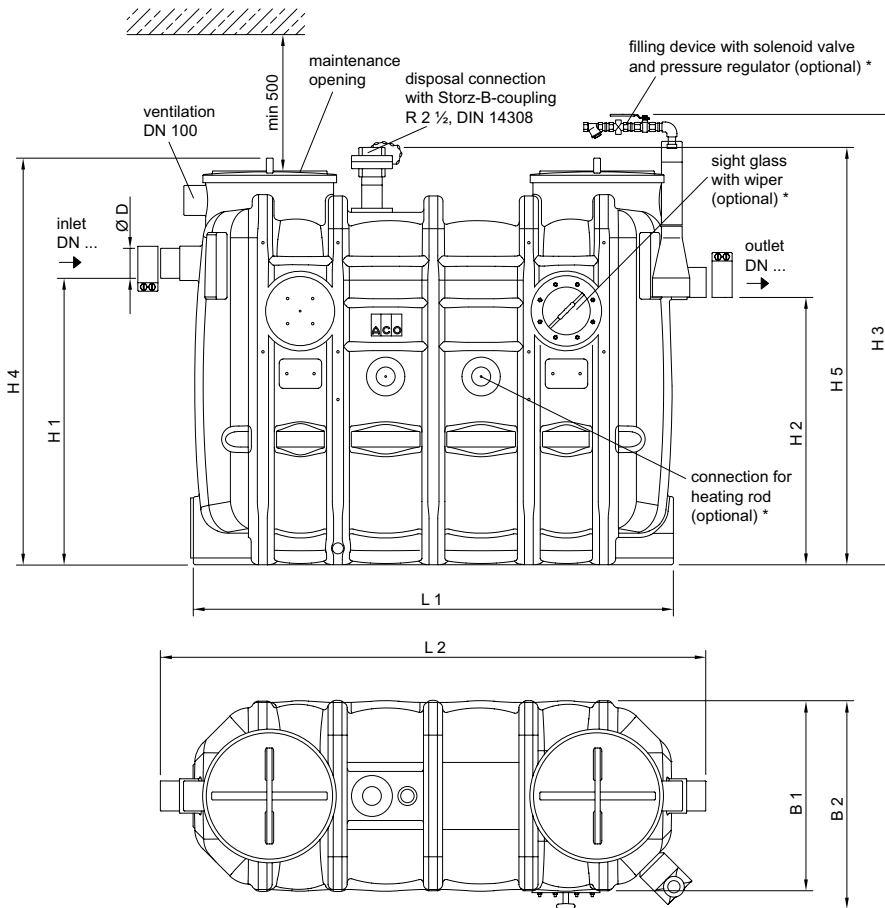
Features of extension stage 3:

- Connection for direct suction
- Fully automatic operation
- Optionally disposal pump and remote control available
- No odour build-up

Ordering information

Nominal size	Nominal width	Capacity			Weight		Article No.
		Sludge trap [l]	Grease storage [l]	Total capacity [l]	Empty [kg]	Full [kg]	
NS 1	DN 100	106	100	320	68	388	3551.64.00
NS 2	DN 100	210	100	440	75	515	3552.64.00
NS 3	DN 100	300	150	630	85	715	3553.64.00
NS 4	DN 100	400	200	830	100	930	3554.64.00
NS 5,5	DN 150	725	360	1430	175	1605	3555.64.00
NS 7	DN 150	800	400	1600	193	1793	3557.64.00
NS 8,5	DN 150	940	475	1900	214	2114	3558.64.00
NS 10	DN 150	1000	520	2000	226	2226	3560.64.00

Dimensions



displayed:
 NS4, operating side right,
 Operating side left would show all
 components (filling device, sight glass)
 positioned mirror-inverted to axis.

* not included in the scope of delivery

Grease separator
Free-standing installation

Nominal size	Dimensions									
	L1	L2	H1	H2	H3	H4	H5	B1	B2	D
	[mm]	[mm]	[mm]	[mm]	[mm]	[mm]	[mm]	[mm]	[mm]	[mm]
NS 1	1100	1300	830	760	1480	1300	1350	700	770	110
NS 2	1100	1300	1055	985	1680	1500	1550	700	770	110
NS 3	1450	1650	1055	985	1680	1500	1550	700	770	110
NS 4	1760	2000	1055	985	1680	1500	1550	700	770	110
NS 5,5	1760	2000	1250	1180	1880	1700	1750	950	1020	160
NS 7	1960	2200	1250	1180	1880	1700	1750	950	1020	160
NS 8,5	2250	2485	1250	1180	1880	1700	1750	950	1020	160
NS 10	2450	2690	1250	1180	1880	1700	1750	950	1020	160

ECO JET OD				
Nominal size	Inspection Window On	New Generation 2008 art.no.	Description	New Generation
1		3551.64.00	ECO JET OD	without inspection window and filling device
1	Right Side	3551.64.40	ECO JET OD	with inspection window- Right
1	Left Side	3551.64.30	ECO JET OD	with inspection window
1	Right Side	3551.64.50	ECO JET OD	with filling device will be on the outlet side
1	Left Side	3551.64.50	ECO JET OD	with filling device will be on the outlet side
1	Right Side	3551.64.41	ECO JET OD	with inspection window and filling device
1	Left Side	3551.64.31	ECO JET OD	with inspection window and filling device
2				
2		3552.64.00	ECO JET OD	without inspection window and filling device
2	Right Side	3552.64.40	ECO JET OD	with inspection window
2	Left Side	3552.64.30	ECO JET OD	with inspection window
2	Right Side	3552.64.50	ECO JET OD	with filling device will be on the outlet side
2	Left Side	3552.64.50	ECO JET OD	with filling device will be on the outlet side
2	Right Side	3552.64.41	ECO JET OD	with inspection window and filling device
2	Left Side	3552.64.31	ECO JET OD	with inspection window and filling device
3				
3		3553.64.00	ECO JET OD	without inspection window and filling device
3	Right Side	3553.64.40	ECO JET OD	with inspection window
3	Left Side	3553.64.30	ECO JET OD	with inspection window
3	Right Side	3553.64.50	ECO JET OD	with filling device will be on the outlet side
3	Left Side	3553.64.50	ECO JET OD	with filling device will be on the outlet side
3	Right Side	3553.64.41	ECO JET OD	with inspection window and filling device
3	Left Side	3553.64.31	ECO JET OD	with inspection window and filling device
4				
4		3554.64.00	ECO JET OD	without inspection window and filling device
4	Right Side	3554.64.40	ECO JET OD	with inspection window
4	Left Side	3554.64.30	ECO JET OD	with inspection window
4	Right Side	3554.64.50	ECO JET OD	with filling device will be on the outlet side
4	Left Side	3554.64.50	ECO JET OD	with filling device will be on the outlet side
4	Right Side	3554.64.41	ECO JET OD	with inspection window and filling device
4	Left Side	3554.64.31	ECO JET OD	with inspection window and filling device
5.5				
5.5		3555.64.00	ECO JET OD	without inspection window and filling device
5.5	Right Side	3555.64.40	ECO JET OD	with inspection window
5.5	Left Side	3555.64.30	ECO JET OD	with inspection window
5.5	Right Side	3555.64.50	ECO JET OD	with filling device will be on the outlet side
5.5	Left Side	3555.64.50	ECO JET OD	with filling device will be on the outlet side
5.5	Right Side	3555.64.41	ECO JET OD	with inspection window and filling device
5.5	Left Side	3555.64.31	ECO JET OD	with inspection window and filling device
7				
7		3557.64.00	ECO JET OD	without inspection window and filling device
7	Right Side	3557.64.40	ECO JET OD	with inspection window
7	Left Side	3557.64.30	ECO JET OD	with inspection window
7	Right Side	3557.64.50	ECO JET OD	with filling device will be on the outlet side
7	Left Side	3557.64.50	ECO JET OD	with filling device will be on the outlet side
7	Right Side	3557.64.41	ECO JET OD	with inspection window and filling device
7	Left Side	3557.64.31	ECO JET OD	with inspection window and filling device
8.5				
8.5		3558.64.00	ECO JET OD	without inspection window and filling device
8.5	Right Side	3558.64.40	ECO JET OD	with inspection window
8.5	Left Side	3558.64.30	ECO JET OD	with inspection window
8.5	Right Side	3558.64.50	ECO JET OD	with filling device will be on the outlet side
8.5	Left Side	3558.64.50	ECO JET OD	with filling device will be on the outlet side
8.5	Right Side	3558.64.41	ECO JET OD	with inspection window and filling device
8.5	Left Side	3558.64.31	ECO JET OD	with inspection window and filling device
10				
10		3560.64.00	ECO JET OD	without inspection window and filling device
10	Right Side	3560.64.40	ECO JET OD	with inspection window
10	Left Side	3560.64.30	ECO JET OD	with inspection window
10	Right Side	3560.64.50	ECO JET OD	with filling device will be on the outlet side
10	Left Side	3560.64.50	ECO JET OD	with filling device will be on the outlet side
10	Right Side	3560.64.41	ECO JET OD	with inspection window and filling device
10	Left Side	3560.64.31	ECO JET OD	with inspection window and filling device