

## Hydrojet-OS extension stage 2

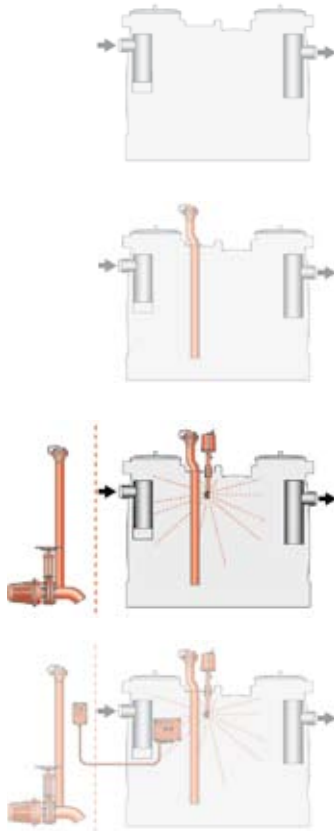
### Product information

#### ACO product advantages

- Proven stability: 25 years (minimum service life)
  - Disposal, cleaning and filling without odour build-up
  - Hydro mechanical high-pressure cleaning - requires only a cold water connection
  - Upgradeable to extension stage 3
  - Fitting with a disposal pump possible
  - Minimization of disposal and maintenance costs via economical gradation of the nominal size
  - Small installation clearance
  - Marginal weight
- Grease separator plant in accordance with EN 1825 and DIN 4040-100
  - For free-standing installation in rooms - frost free
  - With integrated sludge trap
- Operator side: right/left
  - Disposal connection, Storz B coupling R 2½"
  - Suction and disposal sump with de-watering socket R 1"
  - Inspection window with wiper
  - Manual operation of the high-pressure interior cleaning with pump
    - Nominal pressure: 175 bar
    - Capacity: 13 l/min
    - Milling, mixing, flushing in one step
  - Odour-tight maintenance opening, diameter: 450 mm
  - Filling unit with ball valve (connection R ¾") for manual re-filling
  - Inlet and drainage connections in accordance with EN 877
  - Electrical connection: 400 V/50 Hz/16 A/3.9 kW
  - System ACO Passavant
    - Official approval Z-54.1-414



### Ausbaustufe 2



#### Features of basic design:

- Disposal and cleaning via covers
- Odour build-up during disposal and cleaning

#### Features of extension stage 1:

- Connection for direct suction
- Odour build-up during cleaning

#### Features of extension stage 2:

- Connection for direct suction
- High-pressure cleaning with manual operation
- No odour build-up

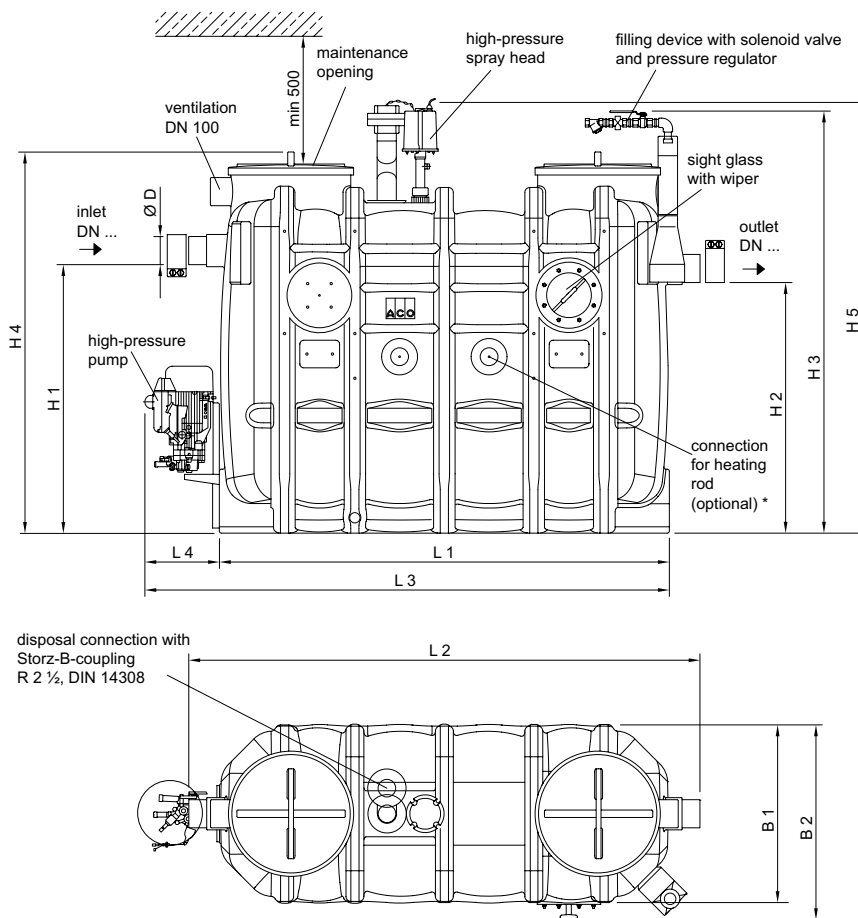
#### Features of extension stage 3:

- Connection for direct suction
- Fully automatic operation
- Optionally disposal pump and remote control available
- No odour build-up

**Ordering information**

Nominal size	Nominal width	Capacity			Weight		Article No.	
		Sludge trap [l]	Grease storage [l]	Total capacity [l]	Empty [kg]	Full [kg]	Right	Left
NS 1	DN 100	106	100	320	95	415	3571.74.41	3571.74.31
NS 2	DN 100	210	100	440	100	540	3572.74.41	3572.74.31
NS 3	DN 100	300	150	630	120	750	3573.74.41	3573.74.31
NS 4	DN 100	400	200	830	135	965	3574.74.41	3574.74.31
NS 5,5	DN 150	725	360	1430	206	1636	3575.74.41	3575.74.31
NS 7	DN 150	800	400	1600	223	1823	3577.74.41	3577.74.31
NS 8,5	DN 150	940	475	1900	243	2143	3578.74.41	3578.74.31
NS 10	DN 150	1000	520	2000	255	2255	3580.74.41	3580.74.31

**Dimensions**



displayed:  
 NS4, operating side right,  
 operating side left would show all components  
 (disposal connection, filling device, sight glass)  
 positioned mirror-inverted to axis.

\* not included in the scope of delivery

Grease separator  
 Free-standing installation

No- minal size	Dimensions											
	L1	L2	L3	L4	H1	H2	H3	H4	H5	B1	B2	D
	[mm]	[mm]	[mm]	[mm]	[mm]	[mm]	[mm]	[mm]	[mm]	[mm]	[mm]	[mm]
NS 1	1100	1300	1400	300	830	760	1480	1300	1500	700	770	110
NS 2	1100	1300	1400	300	1055	985	1680	1500	1700	700	770	110
NS 3	1450	1650	1750	300	1055	985	1680	1500	1700	700	770	110
NS 4	1760	2000	2060	300	1055	985	1680	1500	1700	700	770	110
NS 5,5	1760	2000	2060	300	1250	1180	1880	1700	1900	950	1020	160
NS 7	1960	2200	2260	300	1250	1180	1880	1700	1900	950	1020	160
NS 8,5	2250	2485	2550	300	1250	1180	1880	1700	1900	950	1020	160
NS 10	2450	2690	2750	300	1250	1180	1880	1700	1900	950	1020	160

## Hydrojet-OSE extension stage 2

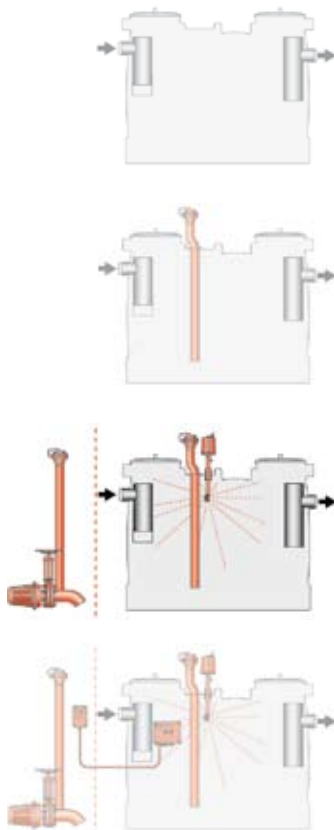
### Product information

#### ACO product advantages

- Proven stability: 25 years (minimum service life)
  - Disposal, cleaning and filling without odour build-up
  - Hydro mechanical high-pressure cleaning - requires only a cold water connection
  - Upgradeable to extension stage 3
  - Minimization of disposal and maintenance costs via economical gradation of the nominal size
  - Small installation clearance
  - Marginal weight
- Grease separator plant in accordance with EN 1825 and DIN 4040-100
  - For free-standing installation in rooms - frost free
  - With integrated sludge trap
  - Operator side: right/left
  - Disposal connection, Storz B coupling R 2½"
- Suction and disposal sump with de-watering socket R 1"
  - Inspection window with wiper
  - Manual operation of the high-pressure interior cleaning with pump
    - Nominal pressure: 175 bar
    - Capacity: 13 l/min
    - Milling, mixing, flushing in one step
  - Standard control with centralised fault signal
  - Disposal pump with free flow impeller
    - Motor rating: 3.0 kW/2850 U/min
    - Delivery performance: 20 m³/h with 1 bar medium delivery head
  - Stop valve in front of disposal pump
  - Odour-tight maintenance opening, diameter: 450 mm
  - Filling unit with ball valve (connection R ¾") for manual re-filling
  - Inlet and drainage connections in accordance with EN 877
  - Electrical connection: 400 V/50 Hz/16 A/6.9 kW
  - System ACO Passavant
    - Official approval Z-54.1-414



### Ausbaustufe 2



#### Features of basic design:

- Disposal and cleaning via covers
- Odour build-up during disposal and cleaning

#### Features of extension stage 1:

- Connection for direct suction
- Odour build-up during cleaning

#### Features of extension stage 2:

- Connection for direct suction
- High-pressure cleaning with manual operation
- With disposal pump available
- No odour build-up

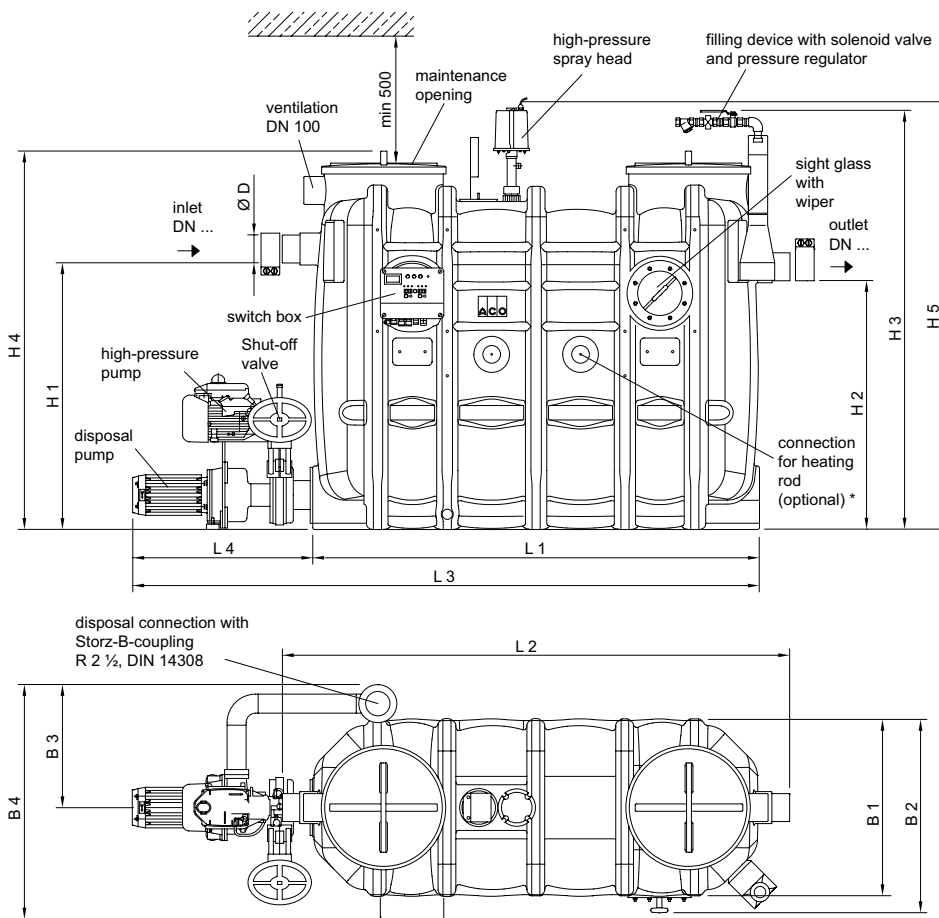
#### Features of extension stage 3:

- Connection for direct suction
- Fully automatic operation
- Optionally disposal pump and remote control available
- No odour build-up

**Ordering information**

Nominal size	Nominal width	Capacity			Weight		Article No.	
		Sludge trap [l]	Grease storage [l]	Total capacity [l]	Empty [kg]	Full [kg]	Right	Left
NS 1	DN 100	106	100	320	177	497	3571.84.41	3571.84.31
NS 2	DN 100	210	100	440	182	622	3572.84.41	3572.84.31
NS 3	DN 100	300	150	630	194	824	3573.84.41	3573.84.31
NS 4	DN 100	400	200	830	210	1040	3574.84.41	3574.84.31
NS 5,5	DN 150	725	360	1430	286	1716	3575.84.41	3575.84.31
NS 7	DN 150	800	400	1600	305	1905	3577.84.41	3577.84.31
NS 8,5	DN 150	940	475	1900	325	2225	3578.84.41	3578.84.31
NS 10	DN 150	1000	520	2000	337	2337	3580.84.41	3580.84.31

**Dimensions**



displayed:  
 NS4, operating side right,  
 operating side left would show all  
 components (disposal connection, filling  
 device, sight glass, shut-off valve, switch  
 box) positioned mirror-inverted to axis.

\* not included in the scope of delivery

Grease separator  
Free-standing installation

No- minal size	Dimensions													
	L1	L2	L3	L4	H1	H2	H3	H4	H5	B1	B2	B3	B4	D
	[mm]	[mm]	[mm]	[mm]	[mm]	[mm]	[mm]	[mm]	[mm]	[mm]	[mm]	[mm]	[mm]	[mm]
NS 1	1100	1300	1800	700	830	760	1480	1300	1500	700	770	500	930	110
NS 2	1100	1300	1800	700	1055	985	1680	1500	1700	700	770	500	930	110
NS 3	1450	1650	2150	700	1055	985	1680	1500	1700	700	770	500	930	110
NS 4	1760	2000	2460	700	1055	985	1680	1500	1700	700	770	500	930	110
NS 5,5	1760	2000	2460	700	1250	1180	1880	1700	1900	950	1020	625	1180	160
NS 7	1960	2200	2660	700	1250	1180	1880	1700	1900	950	1020	625	1180	160
NS 8,5	2250	2485	2950	700	1250	1180	1880	1700	1900	950	1020	625	1180	160
NS 10	2450	2690	3150	700	1250	1180	1880	1700	1900	950	1020	625	1180	160

## Hydrojet-OA extension stage 3

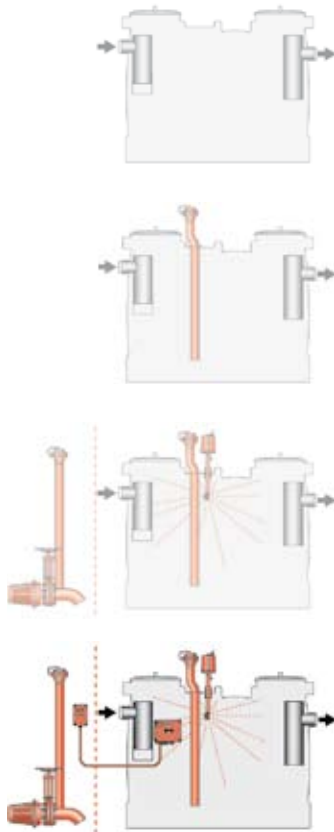
### Product information

#### ACO product advantages

- Proven stability: 25 years (minimum service life)
  - Disposal, cleaning and filling without odour build-up
  - Upgrade with disposal pump possible
  - Pre- and post- cleaning times can be set individually
  - Hydro mechanical high-pressure cleaning - requires only a cold water connection
  - Fitting with a disposal pump possible
  - Minimization of disposal and maintenance costs via economical gradation of the nominal size
  - Small installation clearance
  - Marginal weight
- Grease separator plant in accordance with EN 1825 and DIN 4040-100
  - For free-standing installation in rooms - frost free
  - With integrated sludge trap
- Operator side: right/left
  - Disposal connection, Storz B coupling R 2½"
  - Suction and disposal sump with de-watering socket R 1"
  - Inspection window with wiper
  - Automatic high-pressure interior cleaning with pump
    - Nominal pressure: 175 bar
    - Capacity: 13 l/min
    - Milling, mixing, flushing in one step
  - Standard control with centralised fault signal
  - Odour-tight maintenance opening, diameter: 450 mm
  - Filling unit with solenoid valve (connection R ¾") for automatic re-filling
  - Inlet and drainage connections in accordance with EN 877
  - Electrical connection: 400 V/50 Hz/16 A/3.9 kW
  - System ACO Passavant
    - Official approval Z-54.1-414



### Ausbaustufe 3



#### Features of basic design:

- Disposal and cleaning via covers
- Odour build-up during disposal and cleaning

#### Features of extension stage 1:

- Connection for direct suction
- Odour build-up during cleaning

#### Features of extension stage 2:

- Connection for direct suction
- High-pressure cleaning with manual operation
- Optionally disposal pump available
- No odour build-up

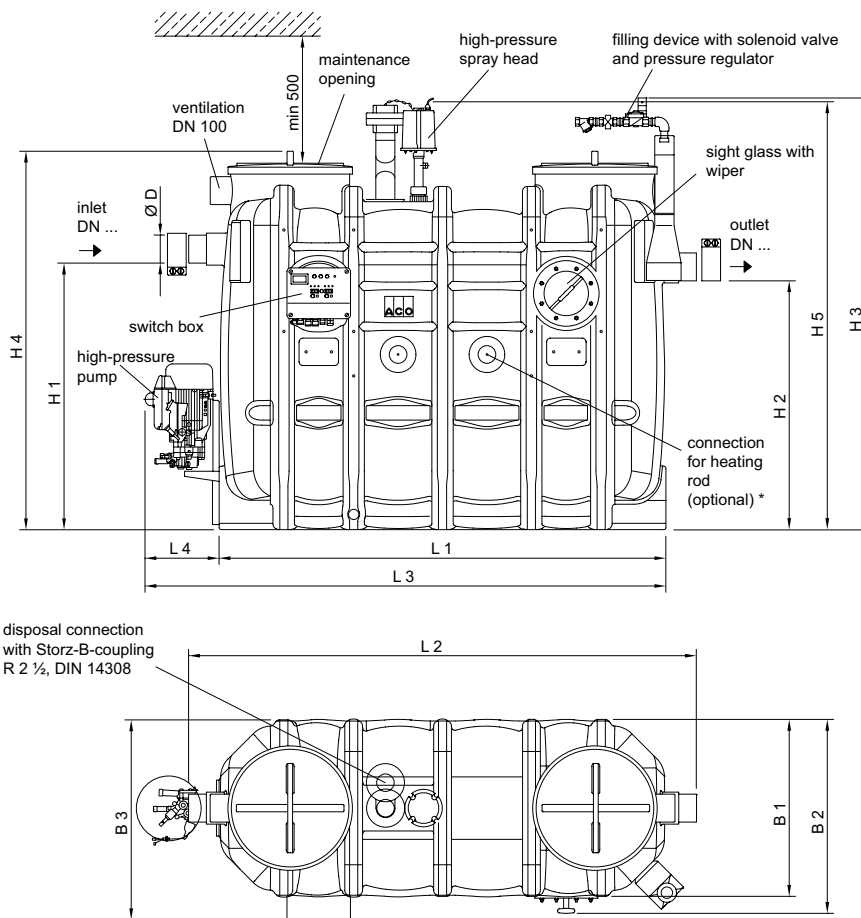
#### Features of extension stage 3:

- Connection for direct suction
- Fully automatic operation
- No odour build-up

**Ordering information**

Nominal size	Nominal width	Capacity			Weight		Article No.	
		Sludge trap [l]	Grease storage [l]	Total capacity [l]	Empty [kg]	Full [kg]	Right	Left
NS 1	DN 100	106	100	320	100	420	3551.74.42	3551.74.32
NS 2	DN 100	210	100	440	105	545	3552.74.42	3552.74.32
NS 3	DN 100	300	150	630	120	750	3553.74.42	3553.74.32
NS 4	DN 100	400	200	830	135	965	3554.74.42	3554.74.32
NS 5,5	DN 150	725	360	1430	210	1640	3555.74.42	3555.74.32
NS 7	DN 150	800	400	1600	226	1826	3557.74.42	3557.74.32
NS 8,5	DN 150	940	475	1900	247	2147	3558.74.42	3558.74.32
NS 10	DN 150	1000	520	2000	259	2259	3560.74.42	3560.74.32

**Dimensions**



displayed:  
 NS4, operating side right,  
 operating side left would show all componer  
 (disposal connection, filling device, sight  
 glass, switch box) positioned mirror-inverted  
 to axis.

\* not included in the scope of delivery

Grease separator  
Free-standing installation

No- minal size	Dimensions												
	L1	L2	L3	L4	H1	H2	H3	H4	H5	B1	B2	B3	D
	[mm]	[mm]	[mm]	[mm]	[mm]	[mm]	[mm]	[mm]	[mm]	[mm]	[mm]	[mm]	[mm]
NS 1	1100	1300	1400	300	830	760	1510	1300	1500	700	770	800	110
NS 2	1100	1300	1400	300	1055	985	1710	1500	1700	700	770	800	110
NS 3	1450	1650	1750	300	1055	985	1710	1500	1700	700	770	800	110
NS 4	1760	2000	2060	300	1055	985	1710	1500	1700	700	770	800	110
NS 5,5	1760	2000	2060	300	1250	1180	1910	1700	1900	950	1020	1050	160
NS 7	1960	2200	2260	300	1250	1180	1910	1700	1900	950	1020	1050	160
NS 8,5	2250	2485	2550	300	1250	1180	1910	1700	1900	950	1020	1050	160
NS 10	2450	2690	2750	300	1250	1180	1910	1700	1900	950	1020	1050	160

## Hydrojet-OAE extension stage 3

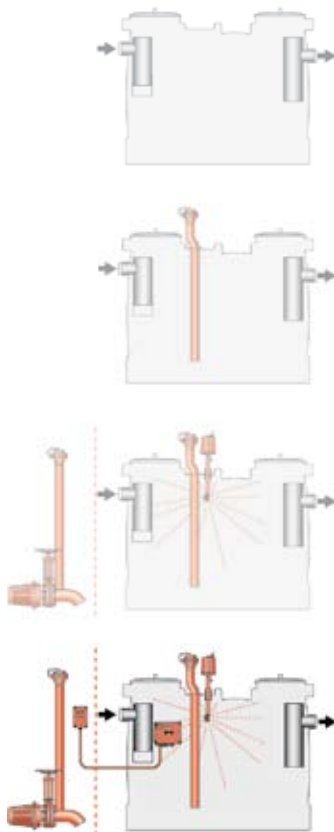
### Product information

#### ACO product advantages

- Proven stability: 25 years (minimum service life)
  - Disposal, cleaning and filling without odour build-up
  - Pre- and post- cleaning times can be set individually
  - Hydro mechanical high-pressure cleaning - requires only a cold water connection
  - Minimization of disposal and maintenance costs via economical gradation of the nominal size
  - Small installation clearance
  - Marginal weight
- Grease separator plant in accordance with EN 1825 and DIN 4040-100
  - For free-standing installation in rooms - frost free
  - With integrated sludge trap
  - Operator side: right/left
  - Disposal connection, Storz B coupling R 2½"
- Suction and disposal sump with de-watering socket R 1"
  - Inspection window with wiper
  - Automatic high-pressure interior cleaning with pump
    - Nominal pressure: 175 bar
    - Capacity: 13 l/min
    - Milling, mixing, flushing in one step
  - Standard control with centralised fault signal
  - Disposal pump with free flow impeller
    - Motor rating: 3.0 kW/2850 U/min
    - Delivery performance: 20 m³/h with 1 bar medium delivery head
  - Stop valve in front of disposal pump
  - Odour-tight maintenance opening, diameter: 450 mm
  - Filling unit with solenoid valve (connection R ¾") for automatic re-filling
  - Inlet and drainage connections in accordance with EN 877
  - Electrical connection: 400 V/50 Hz/16 A/6.9 kW
  - System ACO Passavant
    - Official approval Z-54.1-414



### Ausbaustufe 3



#### Features of basic design:

- Disposal and cleaning via covers
- Odour build-up during disposal and cleaning

#### Features of extension stage 1:

- Connection for direct suction
- Odour build-up during cleaning

#### Features of extension stage 2:

- Connection for direct suction
- High-pressure cleaning with manual operation
- Optionally disposal pump available
- No odour build-up

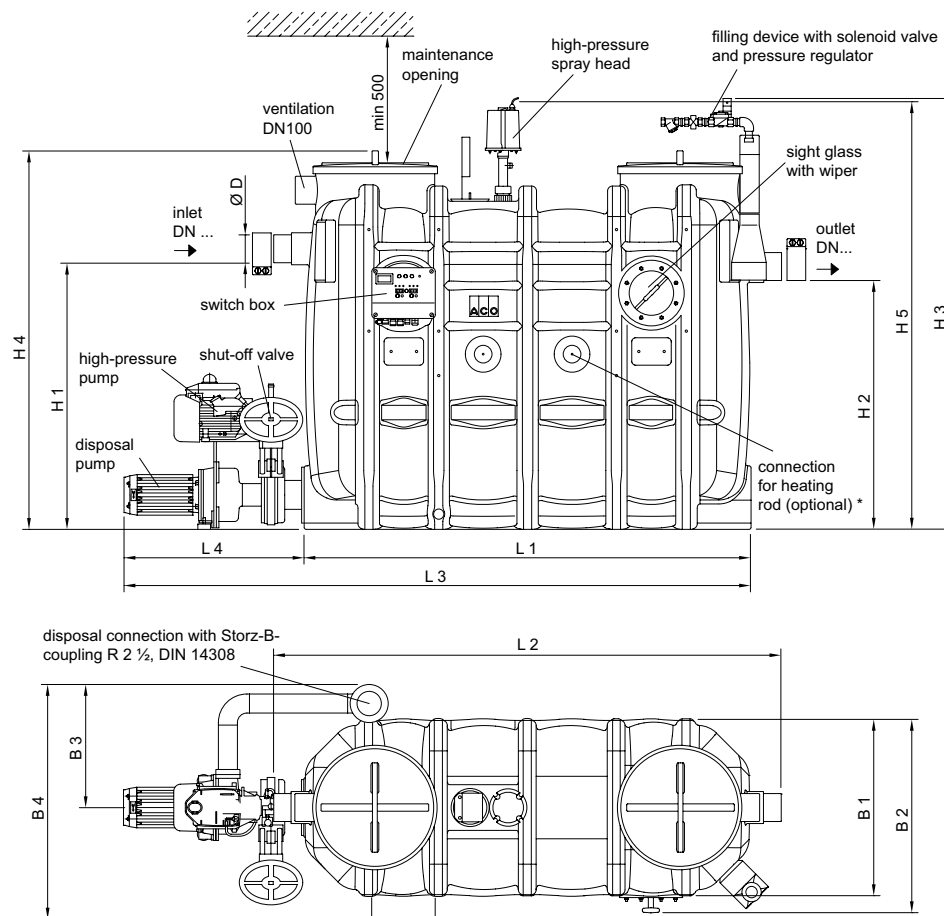
#### Features of extension stage 3:

- Connection for direct suction
- Fully automatic operation
- With disposal pump and remote control available
- No odour build-up

**Ordering information**

Nominal size	Nominal width	Capacity			Weight		Article No.	
		Sludge trap [l]	Grease storage [l]	Total capacity [l]	Empty [kg]	Full [kg]	Right	Left
NS 1	DN 100	106	100	320	177	497	3551.84.42	3551.84.32
NS 2	DN 100	210	100	440	182	622	3552.84.42	3552.84.32
NS 3	DN 100	300	150	630	194	824	3553.84.42	3553.84.32
NS 4	DN 100	400	200	830	210	1040	3554.84.42	3554.84.32
NS 5,5	DN 150	725	360	1430	286	1716	3555.84.42	3555.84.32
NS 7	DN 150	800	400	1600	305	1905	3557.84.42	3557.84.32
NS 8,5	DN 150	940	475	1900	325	2225	3558.84.42	3558.84.32
NS 10	DN 150	1000	520	2000	337	2337	3560.84.42	3560.84.32

**Dimensions**



displayed:  
 NS4, operating side right  
 operating side left would show all  
 components (disposal connection, filling  
 device, sight glass, shut-off valve, switch  
 box) positioned mirror-inverted to axis.

\* not included in the scope of delivery

No- minal size	Dimensions													
	L1	L2	L3	L4	H1	H2	H3	H4	H5	B1	B2	B3	B4	D
	[mm]	[mm]	[mm]	[mm]	[mm]	[mm]	[mm]	[mm]	[mm]	[mm]	[mm]	[mm]	[mm]	[mm]
NS 1	1100	1300	1800	700	830	760	1480	1300	1500	700	770	500	930	110
NS 2	1100	1300	1800	700	1055	985	1680	1500	1700	700	770	500	930	110
NS 3	1450	1650	2150	700	1055	985	1680	1500	1700	700	770	500	930	110
NS 4	1760	2000	2460	700	1055	985	1680	1500	1700	700	770	500	930	110
NS 5,5	1760	2000	2460	700	1250	1180	1880	1700	1900	950	1020	625	1180	160
NS 7	1960	2200	2660	700	1250	1180	1880	1700	1900	950	1020	625	1180	160
NS 8,5	2250	2485	2950	700	1250	1180	1880	1700	1900	950	1020	625	1180	160
NS 10	2450	2690	3150	700	1250	1180	1880	1700	1900	950	1020	625	1180	160



## Eco-Jet-R basic design

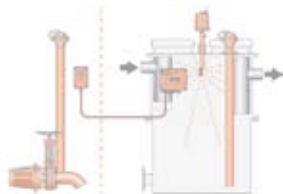
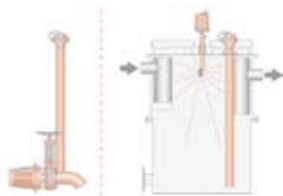
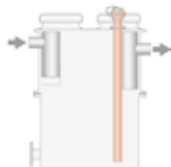
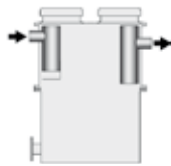
### Product information

#### ACO product advantages

- Easy to transport and install via single component installation
  - Upgradeable to extension stage 1-3
  - Small installation clearance
  - Marginal weight
- Grease separator plant in accordance with EN 1825 and DIN 4040-100
  - For free-standing installation in rooms - frost free
- With integrated sludge trap
  - Operator side: right/left
  - Suction and disposal sump with de-watering socket R 1½"
  - Odour-tight maintenance opening, diameter: 350 mm
  - Inlet and drainage connections in accordance with EN 877
  - System ACO Passavant
    - Official approval Z-54.6-320



### Ausbaustufe: Basisausführung B



#### Features of basic design:

- Disposal and cleaning via covers
- Odour build-up during disposal and cleaning

#### Features of extension stage 1:

- Connection for direct suction
- Odour build-up during cleaning

#### Features of extension stage 2:

- Connection for direct suction
- High-pressure cleaning with manual operation
- Optionally disposal pump available
- No odour build-up

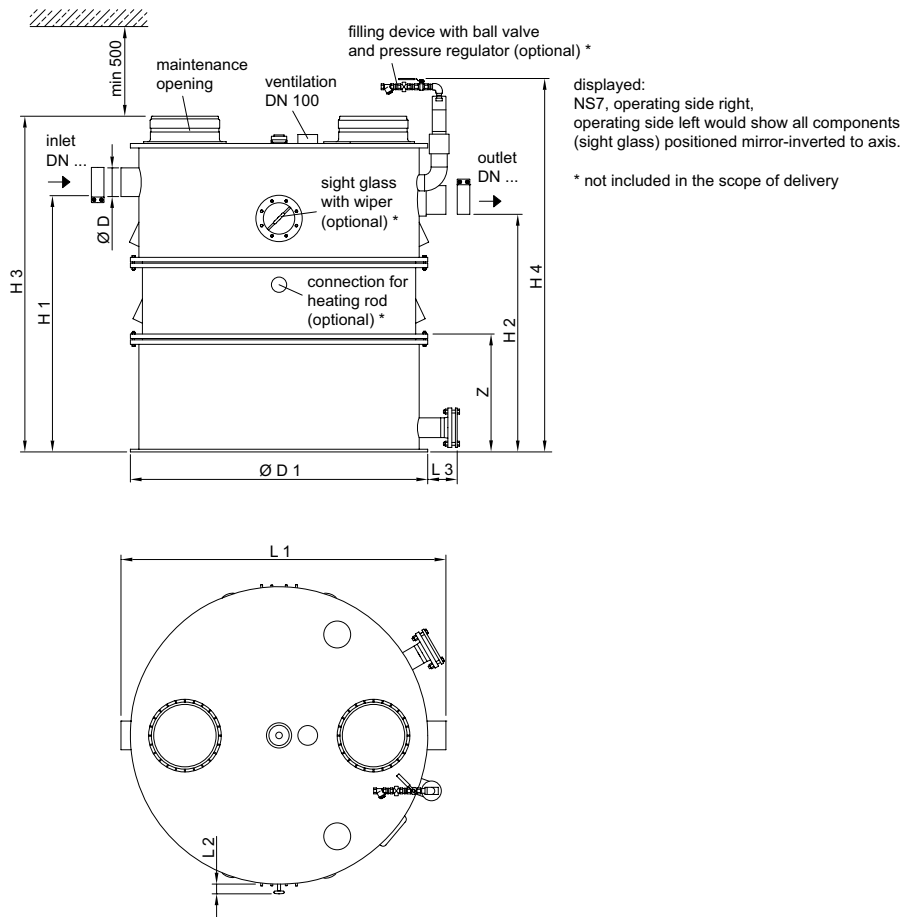
#### Features of extension stage 3:

- Connection for direct suction
- Fully automatic operation
- Optionally disposal pump and remote control available
- No odour build-up

**Ordering information**

Nominal size	Nominal width	Capacity			Weight			Article No.
		Sludge trap	Grease storage	Total capacity	Empty	Full	Heaviest components	
		[l]	[l]	[l]	[kg]	[kg]	[kg]	
NS 2	DN 100	290	120	680	119	799	48	3502.32.30
NS 4	DN 100	500	160	890	134	1024	55	3504.32.30
NS 7	DN 150	830	400	2120	301	2521	112	3507.32.30
NS 10	DN 150	1150	400	2450	311	2761	116	3510.32.30
NS 15	DN 200	1950	800	3610	357	3967	134	3515.32.30
NS 20	DN 200	2440	800	4070	358	4428	134	3520.32.30

**Dimensions**



Nominal size	Dimensions								
	L1	L2	H1	H2	H3	H4	D	D1	Z/n
	[mm]	[mm]	[mm]	[mm]	[mm]	[mm]	[mm]	[mm]	
NS 2	1255	60	975	905	1320	1520	110	1150	795/2
NS 4	1255	60	1240	1170	1580	1780	110	1150	820/2
NS 7	1820	60	1430	1330	1880	2080	160	1660	785/3
NS 10	1820	60	1600	1500	2050	2250	160	1660	785/3
NS 15	2130	60	1765	1665	2200	2400	200	1920	880/3
NS 20	2130	60	1955	1855	2400	2600	200	1920	880/3

## Eco-Jet-RD extension stage 1

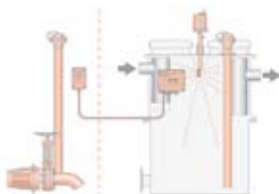
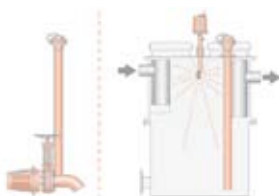
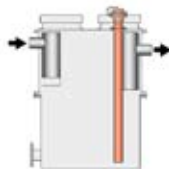
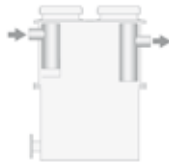
### Product information

#### ACO product advantages

- Easy to transport and install via single component installation
  - Direct emptying without odour build-up
  - Upgradeable to extension stages 2 and 3
  - Small installation clearance
  - Marginal weight
- Grease separator plant in accordance with EN 1825 and DIN 4040-100
  - For free-standing installation in rooms - frost free
- With integrated sludge trap
  - Operator side: right/left
  - Disposal connection, Storz B coupling R 2½"
  - Suction and disposal sump with dewatering socket R 1½"
  - Odour-tight maintenance opening, diameter: 350 mm
  - Inlet and drainage connections in accordance with EN 877
  - System ACO Passavant
    - Official approval Z-54.6-320



### Ausbaustufe 1



#### Features of basic design:

- Disposal and cleaning via covers
- Odour build-up during disposal and cleaning

#### Features of extension stage 1:

- Connection for direct suction
- Odour build-up during cleaning

#### Features of extension stage 2:

- Connection for direct suction
- High-pressure cleaning with manual operation
- Optionally disposal pump available
- No odour build-up

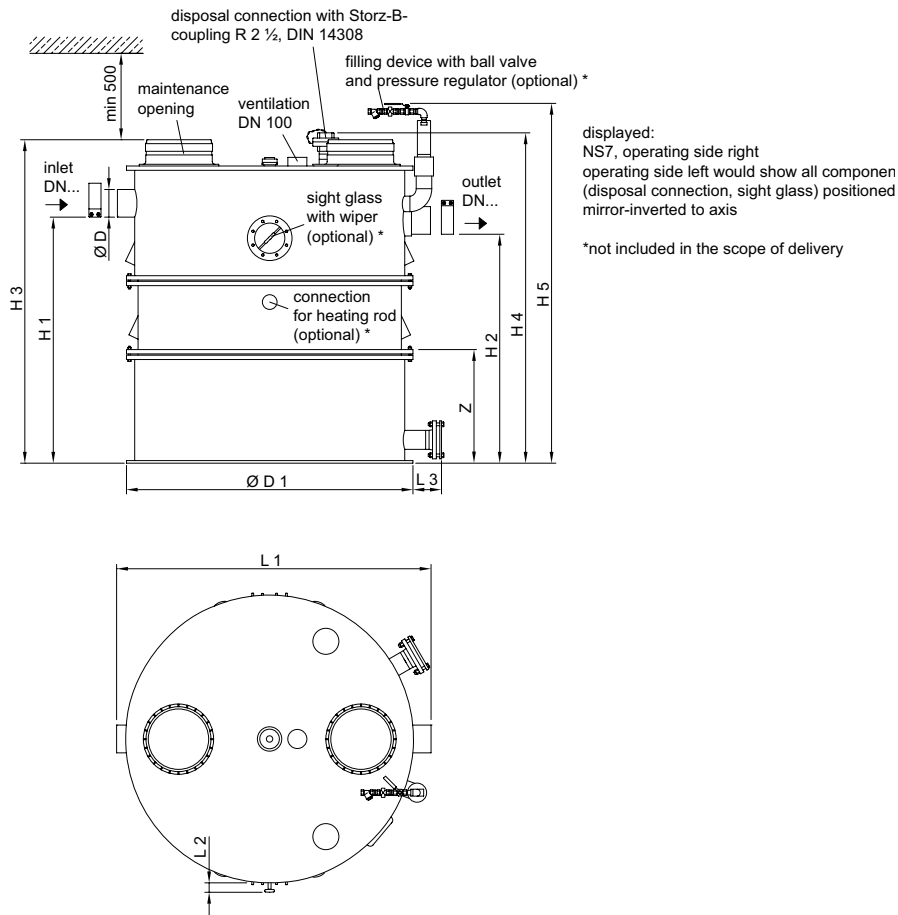
#### Features of extension stage 3:

- Connection for direct suction
- Fully automatic operation
- Optionally disposal pump and remote control available
- No odour build-up

**Ordering information**

Nominal size	Nominal width	Capacity			Weight			Article No.
		Sludge trap	Grease storage	Total capacity	Empty	Full	Heaviest components	
		[l]	[l]	[l]	[kg]	[kg]	[kg]	
NS 2	DN 100	290	120	680	123	803	48	3502.62.30
NS 4	DN 100	500	160	890	139	1029	55	3504.62.30
NS 7	DN 150	830	400	2120	310	2430	112	3507.62.30
NS 10	DN 150	1150	400	2450	321	2771	116	3510.62.30
NS 15	DN 200	1950	800	3610	358	3968	134	3515.62.30
NS 20	DN 200	2440	800	4070	360	4430	134	3520.62.30

**Dimensions**



Nominal size	Dimensions										
	L1	L2	L3	H1	H2	H3	H4	H5	D	D1	Z/n
	[mm]	[mm]	[mm]	[mm]	[mm]	[mm]	[mm]	[mm]	[mm]	[mm]	
NS 2	1255	60	170	975	905	1320	1370	1520	110	1150	795/2
NS 4	1255	60	170	1240	1170	1580	1630	1780	110	1150	820/2
NS 7	1820	60	170	1430	1330	1880	1930	2080	160	1660	785/3
NS 10	1820	60	170	1600	1500	2050	2100	2250	160	1660	785/3
NS 15	2130	60	170	1765	1665	2200	2250	2400	200	1920	880/3
NS 20	2130	60	170	1955	1855	2400	2450	2600	200	1920	880/3

## Hydrojet-RS extension stage 2

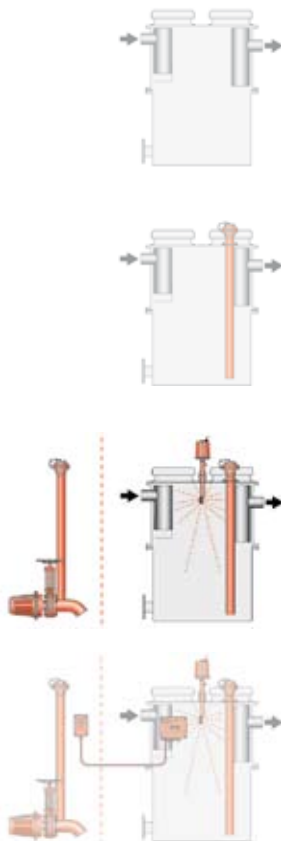
### Product information

#### ACO product advantages

- Easy to transport and install via single component installation
  - Disposal, cleaning and filling without odour build-up
  - Hydro mechanical high-pressure cleaning - requires only a cold water connection
  - Upgradeable to extension stage 3
  - Fitting with a disposal pump possible
  - Small installation clearance
  - Marginal weight
- Grease separator plant in accordance with EN 1825 and DIN 4040-100
  - For free-standing installation in rooms - frost free
  - With integrated sludge trap
  - Operator side: right/left
- Disposal connection, Storz B coupling R 2½"
  - Suction and disposal sump with de-watering socket R 1½"
  - Inspection window with wiper
  - Manual operation of the high-pressure interior cleaning with pump
    - Nominal pressure: 175 bar
    - Capacity: 13 l/min
    - Milling, mixing, flushing in one step
  - Odour-tight maintenance opening, diameter: 350 mm
  - Filling unit with ball valve (connection R ¾") for manual re-filling
  - Inlet and drainage connections in accordance with EN 877
  - Electrical connection: 400 V/50 Hz/16 A/3.9 kW
  - System ACO Passavant
    - Official approval Z-54.6-320



### Ausbaustufe 2



#### Features of basic design:

- Disposal and cleaning via covers
- Odour build-up during disposal and cleaning

#### Features of extension stage 1:

- Connection for direct suction
- Odour build-up during cleaning

#### Features of extension stage 2:

- Connection for direct suction
- High-pressure cleaning with manual operation
- No odour build-up

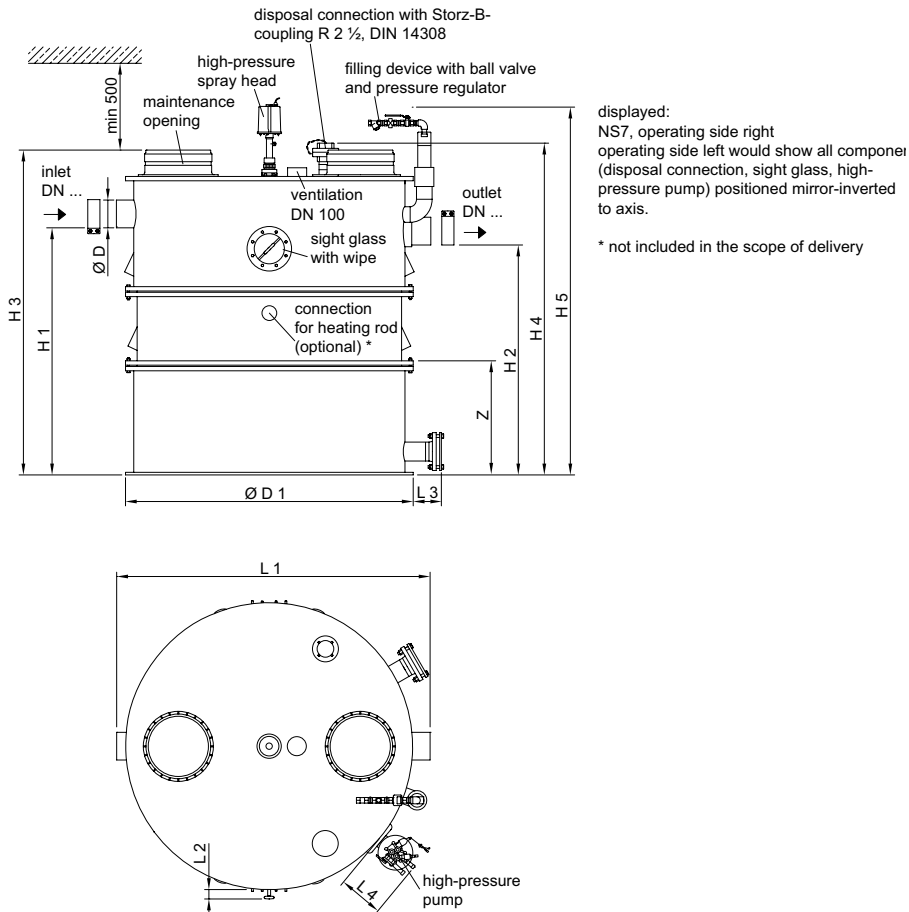
#### Features of extension stage 3:

- Connection for direct suction
- Fully automatic operation
- Optionally disposal pump and remote control available
- No odour build-up

**Ordering information**

Nominal size	Nominal width	Capacity			Weight			Article No.	
		Sludge trap [l]	Grease storage [l]	Total capacity [l]	Empty [kg]	Full [kg]	Heaviest components [kg]	Right	Left
NS 2	DN 100	290	120	680	156	836	48	3502.73.41	3502.73.31
NS 4	DN 100	500	160	890	172	1062	55	3504.73.41	3504.73.31
NS 7	DN 150	830	400	2120	344	2464	112	3507.73.41	3507.73.31
NS 10	DN 150	1150	400	2450	355	2805	116	3510.73.41	3510.73.31
NS 15	DN 200	1950	800	3610	391	4001	134	3515.73.41	3515.73.31
NS 20	DN 200	2440	800	4070	392	4462	134	3520.73.41	3520.73.31

**Dimensions**



Nominal size	Dimensions											
	L1 [mm]	L2 [mm]	L3 [mm]	L4 [mm]	H1 [mm]	H2 [mm]	H3 [mm]	H4 [mm]	H5 [mm]	D [mm]	D1 [mm]	Z/n
NS 2	1255	60	170	260	975	905	1320	1370	1520	110	1150	795/2
NS 4	1255	60	170	260	1240	1170	1580	1630	1780	110	1150	820/2
NS 7	1820	60	170	260	1430	1330	1880	1930	2080	160	1660	785/3
NS 10	1820	60	170	260	1600	1500	2050	2100	2250	160	1660	785/3
NS 15	2130	60	170	260	1765	1665	2200	2250	2400	200	1920	880/3
NS 20	2130	60	170	260	1955	1855	2400	2450	2600	200	1920	880/3

## Hydrojet-RSE extension stage 2

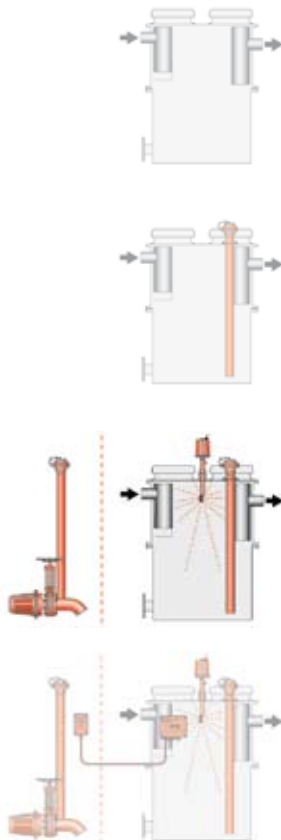
### Product information

#### ACO product advantages

- Easy to transport and install via single component installation
  - Disposal, cleaning and filling without odour build-up
  - Hydro mechanical high-pressure cleaning - requires only a cold water connection
  - Upgradeable to extension stage 3
  - Small installation clearance
  - Marginal weight
- Grease separator plant in accordance with EN 1825 and DIN 4040-100
  - For free-standing installation in rooms - frost free
  - With integrated sludge trap
  - Operator side: right/left
  - Disposal connection, Storz B coupling R 2½"
  - Suction and disposal sump with de-watering socket R 1½"
- Inspection window with wiper
  - Manual operation of the high-pressure interior cleaning with pump
    - Nominal pressure: 175 bar
    - Capacity: 13 l/min
    - Milling, mixing, flushing in one step
  - Standard control with centralised fault signal
  - Disposal pump with free flow impeller
    - Motor rating: 3.0 kW/2850 U/min
    - Delivery performance: 20 m³/h with 1 bar medium delivery head
  - Stop valve in front of disposal pump
  - Odour-tight maintenance opening, diameter: 350 mm
  - Filling unit with ball valve (connection R ¾") for manual re-filling
  - Inlet and drainage connections in accordance with EN 877
  - Electrical connection: 400 V/50 Hz/16 A/6.9 kW
  - System ACO Passavant
    - Official approval Z-54.6-320



### Ausbaustufe 2



#### Features of basic design:

- Disposal and cleaning via covers
- Odour build-up during disposal and cleaning

#### Features of extension stage 1:

- Connection for direct suction
- Odour build-up during cleaning

#### Features of extension stage 2:

- Connection for direct suction
- High-pressure cleaning with manual operation
- With disposal pump available
- No odour build-up

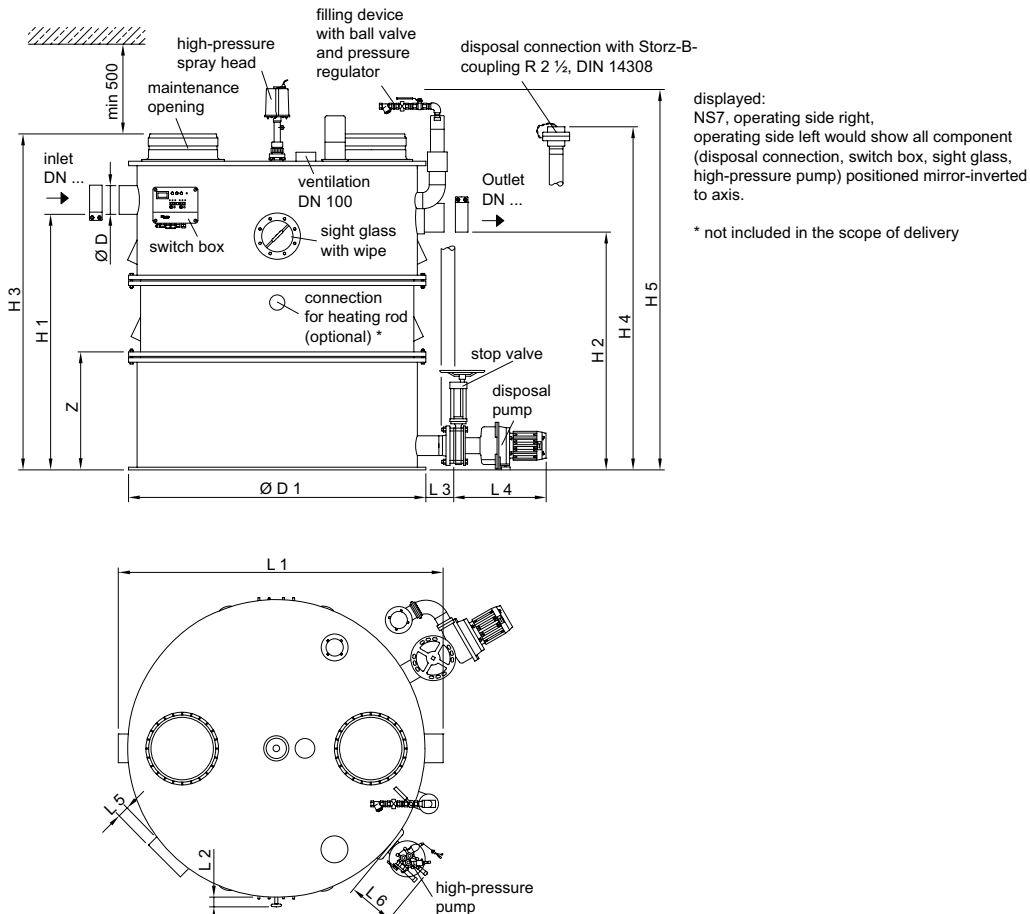
#### Features of extension stage 3:

- Connection for direct suction
- Fully automatic operation
- Optionally disposal pump and remote control available
- No odour build-up

**Ordering information**

Nominal size	Nominal width	Capacity			Weight			Article No.	
		Sludge trap [l]	Grease storage [l]	Total capacity [l]	Empty [kg]	Full [kg]	Heaviest components [kg]	Right	Left
NS 2	DN 100	290	120	680	189	869	48	3502.73.81	3502.73.71
NS 4	DN 100	500	160	890	205	1095	55	3504.73.81	3504.73.71
NS 7	DN 150	830	400	2120	377	2497	112	3507.73.81	3507.73.71
NS 10	DN 150	1150	400	2450	388	2838	116	3510.73.81	3510.73.71
NS 15	DN 200	1950	800	3610	424	4034	134	3515.73.81	3515.73.71
NS 20	DN 200	2440	800	4070	437	4507	134	3520.73.81	3520.73.71

**Dimensions**



Nominal size	Dimensions													Z/n
	L1 [mm]	L2 [mm]	L3 [mm]	L4 [mm]	L5 [mm]	L6 [mm]	H1 [mm]	H2 [mm]	H3 [mm]	H4 [mm]	H5 [mm]	D [mm]	D1 [mm]	
NS 2	1255	60	150	520	65	260	975	905	1320	1370	1520	110	1150	795/2
NS 4	1255	60	150	520	65	260	1240	1170	1580	1630	1780	110	1150	820/2
NS 7	1820	60	150	520	65	260	1430	1330	1880	1930	2080	160	1660	785/3
NS 10	1820	60	150	520	65	260	1600	1500	2050	2100	2250	160	1660	785/3
NS 15	2130	60	150	520	65	260	1765	1665	2200	2250	2400	200	1920	880/3
NS 20	2130	60	150	520	65	260	1955	1855	2400	2450	2600	200	1920	880/3



## Hydrojet-RA extension stage 3

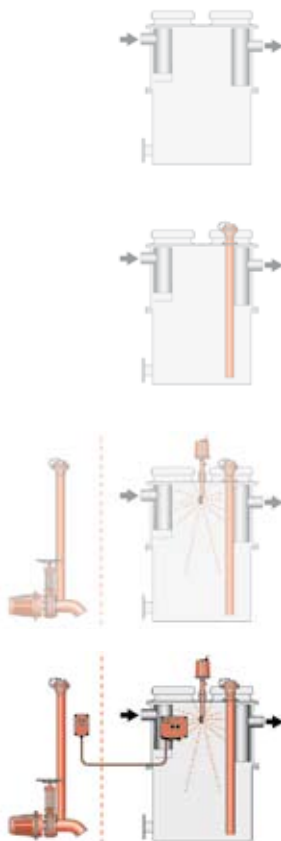
### Product information

#### ACO product advantages

- Easy to transport and install via single component installation
  - Disposal, cleaning and filling without odour build-up
  - Pre- and post- cleaning times can be set individually
  - Hydro mechanical high-pressure cleaning - requires only a cold water connection
  - Fitting with a disposal pump possible
  - Small installation clearance
  - Marginal weight
- Grease separator plant in accordance with EN 1825 and DIN 4040-100
  - For free-standing installation in rooms - frost free
  - With integrated sludge trap
  - Operator side: right/left
- Disposal connection, Storz B coupling R 2½"
  - Suction and disposal sump with de-watering socket R 1½"
  - Inspection window with wiper
  - Automatic high-pressure interior cleaning with pump
    - Nominal pressure: 175 bar
    - Capacity: 13 l/min
    - Milling, mixing, flushing in one step
  - Standard control with centralised fault signal
  - Odour-tight maintenance opening, diameter: 350 mm
  - Filling unit with solenoid valve (connection R ¾") for automatic re-filling
  - Inlet and drainage connections in accordance with EN 877
  - Electrical connection: 400 V/50 Hz/16 A/3.9 kW
  - System ACO Passavant
    - Official approval Z-54.6-320



### Ausbaustufe 3



#### Features of basic design:

- Disposal and cleaning via covers
- Odour build-up during disposal and cleaning

#### Features of extension stage 1:

- Connection for direct suction
- Odour build-up during cleaning

#### Features of extension stage 2:

- Connection for direct suction
- High-pressure cleaning with manual operation
- Optionally disposal pump available
- No odour build-up

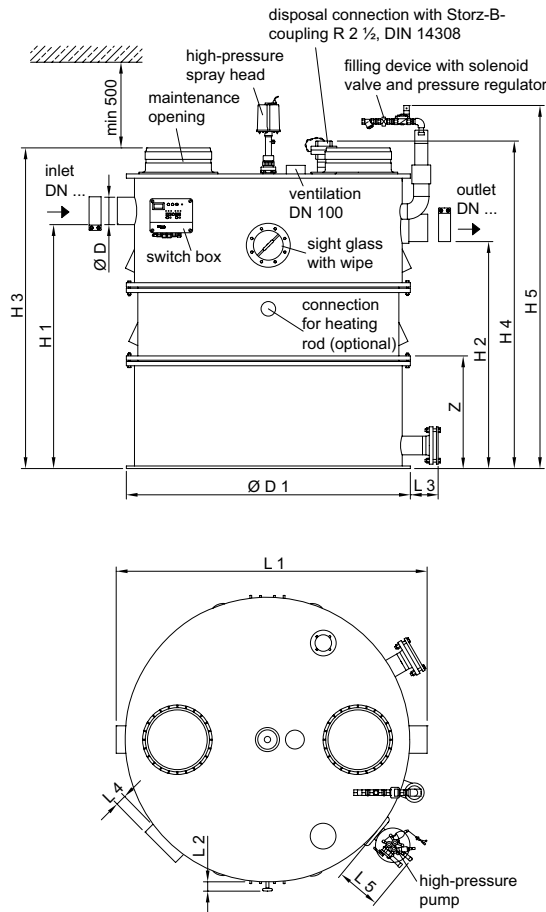
#### Features of extension stage 3:

- Connection for direct suction
- Fully automatic operation
- No odour build-up

**Ordering information**

Nominal size	Nominal width	Capacity			Weight			Article No.	
		Sludge trap [l]	Grease storage [l]	Total capacity [l]	Empty [kg]	Full [kg]	Heaviest components [kg]	Right	Left
NS 2	DN 100	290	120	680	165	845	48	3502.73.42	3502.73.32
NS 4	DN 100	500	160	890	181	1071	55	3504.73.42	3504.73.32
NS 7	DN 150	830	400	2120	353	2473	112	3507.73.42	3507.73.32
NS 10	DN 150	1150	400	2450	364	2814	116	3510.73.42	3510.73.32
NS 15	DN 200	1950	800	3610	401	4011	134	3515.73.42	3515.73.32
NS 20	DN 200	2440	800	4070	401	4471	134	3520.73.42	3520.73.32

**Dimensions**



displayed:  
 NS7, operating side right  
 operating side left would show all components  
 (disposal connection, switch box, sight glass,  
 high-pressure pump) positioned mirror-inverted  
 to axis.

\* not included in the scope of delivery

Grease separator  
Free-standing installation

No- minal size	Dimensions												
	L1	L2	L3	L4	L5	H1	H2	H3	H4	H5	D	D1	Z/n
	[mm]	[mm]	[mm]	[mm]	[mm]	[mm]	[mm]	[mm]	[mm]	[mm]	[mm]	[mm]	
NS 2	1255	60	170	65	260	975	905	1320	1370	1570	110	1150	795/2
NS 4	1255	60	170	65	260	1240	1170	1580	1630	1830	110	1150	820/2
NS 7	1820	60	170	65	260	1430	1330	1880	1930	2130	160	1660	785/3
NS 10	1820	60	170	65	260	1600	1500	2050	2100	2300	160	1660	785/3
NS 15	2130	60	170	65	260	1765	1665	2200	2250	2450	200	1920	880/3
NS 20	2130	60	170	65	260	1955	1855	2400	2450	2650	200	1920	880/3

## Hydrojet-RAE extension stage 3

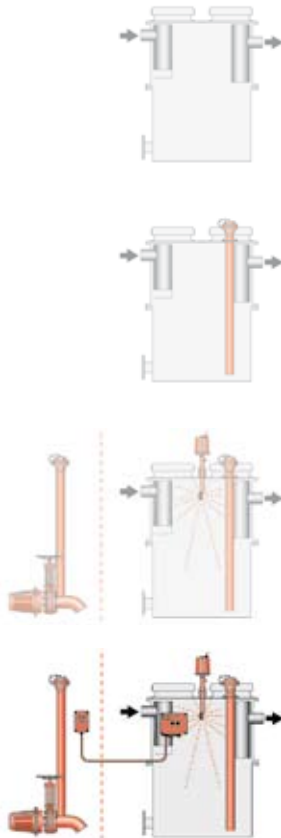
### Product information

#### ACO product advantages

- Easy to transport and install via single component installation
  - Disposal, cleaning and filling without odour build-up
  - Pre- and post- cleaning times can be set individually
  - Hydro mechanical high-pressure cleaning - requires only a cold water connection
  - Small installation clearance
  - Marginal weight
- Grease separator plant in accordance with EN 1825 and DIN 4040-100
  - For free-standing installation in rooms - frost free
  - With integrated sludge trap
  - Operator side: right/left
  - Disposal connection, Storz B coupling R 2½"
  - Suction and disposal sump with de-watering socket R 1½"
- Inspection window with wiper
  - Automatic high-pressure interior cleaning with pump
    - Nominal pressure: 175 bar
    - Capacity: 13 l/min
    - Milling, mixing, flushing in one step
  - Standard control with centralised fault signal
  - Disposal pump with free flow impeller
    - Motor rating: 3.0 kW/2850 U/min
    - Delivery performance: 20 m³/h with 1 bar medium delivery head
  - Stop valve in front of disposal pump
  - Odour-tight maintenance opening, diameter: 350 mm
  - Filling unit with solenoid valve (connection R ¾") for automatic re-filling
  - Inlet and drainage connections in accordance with EN 877
  - Electrical connection: 400 V/50 Hz/16 A/6.9 kW
  - System ACO Passavant
    - Official approval Z-54.6-320



### Ausbaustufe 3



#### Features of basic design:

- Disposal and cleaning via covers
- Odour build-up during disposal and cleaning

#### Features of extension stage 1:

- Connection for direct suction
- Odour build-up during cleaning

#### Features of extension stage 2:

- Connection for direct suction
- High-pressure cleaning with manual operation
- Optionally disposal pump available
- No odour build-up

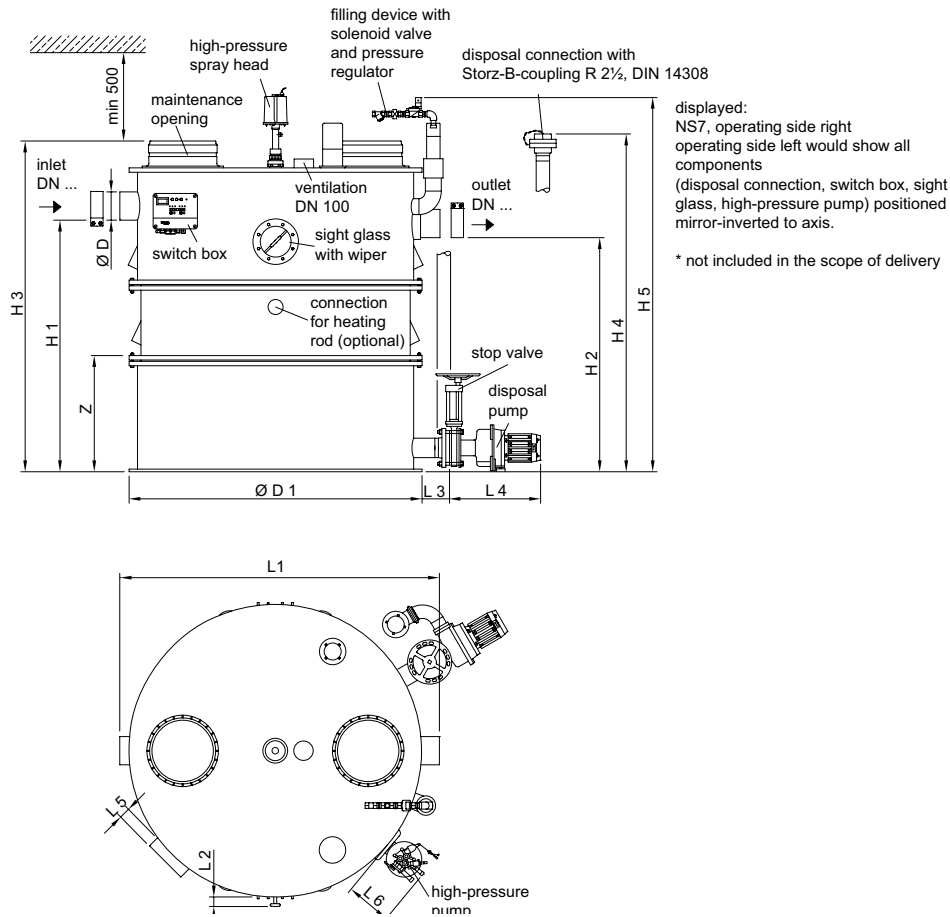
#### Features of extension stage 3:

- Connection for direct suction
- Fully automatic operation
- With disposal pump and remote control available
- No odour build-up

**Ordering information**

Nominal size	Nominal width	Capacity			Weight			Article No.	
		Sludge trap [l]	Grease storage [l]	Total capacity [l]	Empty [kg]	Full [kg]	Heaviest components [kg]	Right	Left
NS 2	DN 100	290	120	680	194	874	48	3502.73.82	3502.73.72
NS 4	DN 100	500	160	890	210	1100	55	3504.73.82	3504.73.72
NS 7	DN 150	830	400	2120	382	2502	112	3507.73.82	3507.73.72
NS 10	DN 150	1150	400	2450	393	2843	116	3510.73.82	3510.73.72
NS 15	DN 200	1950	800	3610	442	4052	134	3515.73.82	3515.73.72
NS 20	DN 200	2440	800	4070	443	4513	134	3520.73.82	3520.73.72

**Dimensions**



Nominal size	Dimensions													
	L1 [mm]	L2 [mm]	L3 [mm]	L4 [mm]	L5 [mm]	L6 [mm]	H1 [mm]	H2 [mm]	H3 [mm]	H4 [mm]	H5 [mm]	D [mm]	D1 [mm]	Z/n
NS 2	1255	60	150	520	65	260	975	905	1320	1370	1570	110	1150	795/2
NS 4	1255	60	150	520	65	260	1240	1170	1580	1630	1830	110	1150	820/2
NS 7	1820	60	150	520	65	260	1430	1330	1880	1930	2130	160	1660	785/3
NS 10	1820	60	150	520	65	260	1600	1500	2050	2100	2300	160	1660	785/3
NS 15	2130	60	150	520	65	260	1765	1665	2200	2250	2450	200	1920	880/3
NS 20	2130	60	150	520	65	260	1955	1855	2400	2450	2650	200	1920	880/3