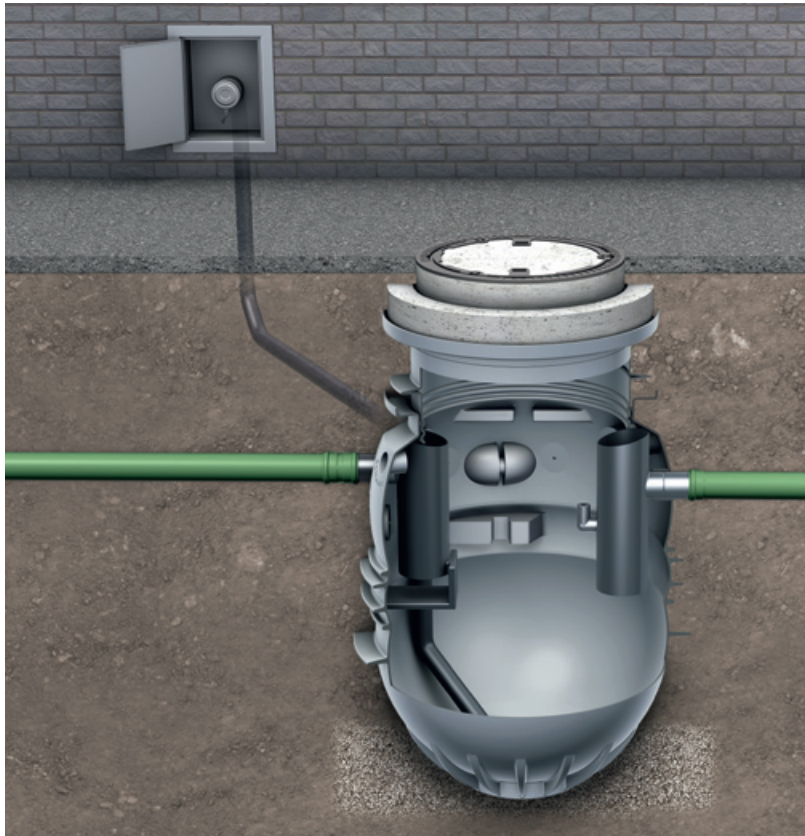


**ACO Grease separator Lipumax P-D – Extension stage 1**

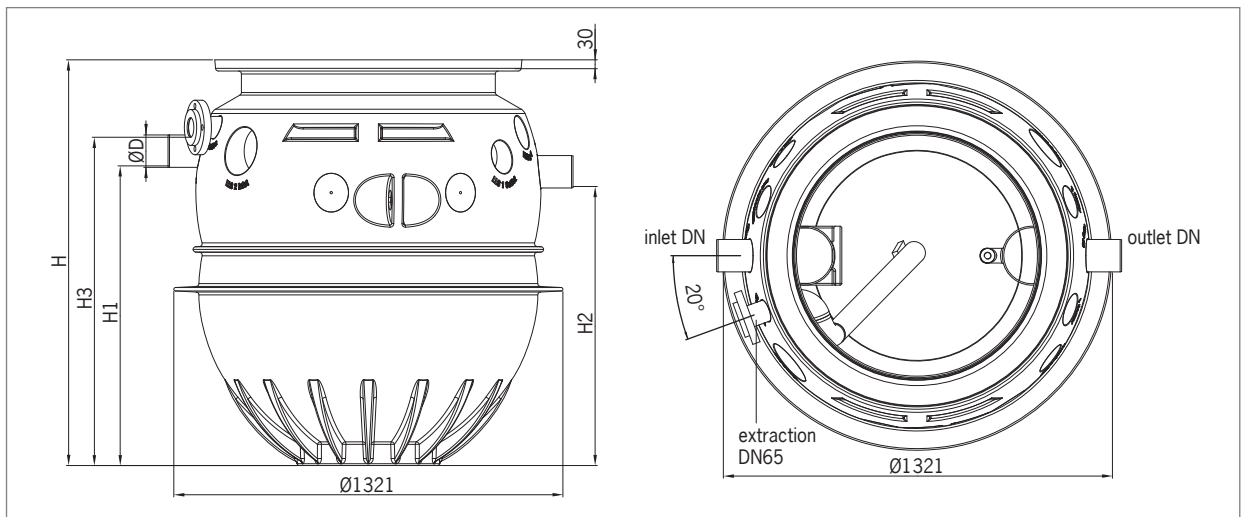


**Grease separator of polyethylene for below ground installation**

- according to EN 1825 and DIN 4040-100
- certificate
  - 7310374-01a (NS 2, NS 4)
  - 7310372-01 (NS 5.5)
  - 7310372-02 (NS 7)
- inlet and outlet connection according to outside diameter D depending on nominal size of separator
- disposal via direct suction line DN 65, PN 10, counter flange and Storz-75 B hose quick coupling and blind cover
- cleaning via cover

Installation example shows ACO Lipumax P-D NS 4 with a top section unit for load class B 125

**Lipumax P-D – Order data**

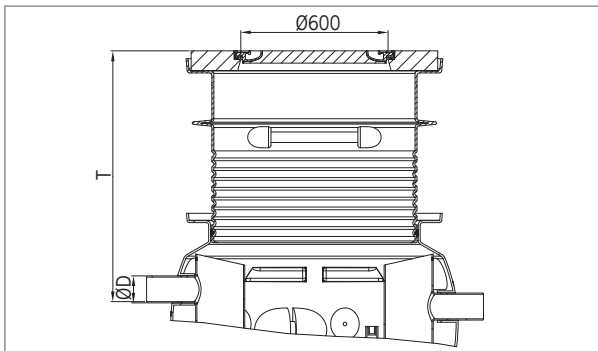


**Accessories**

- sampling pots and extension elements, page 16
- grease level sensor, page 16

Nominal size	Nominal width	Volume sludge trap [l]	Volume grease storage [l]	Total capacity [l]	D [mm]	H [mm]	H1 [mm]	H2 [mm]	Weight [kg]	Article No.
NS 2	DN 100	245	270	720	110	1377	1015	945	66	<b>3202.81.00</b>
NS 2	DN 100	460	270	930	110	1594	1235	1165	81	<b>3202.81.10</b>
NS 4	DN 100	460	270	930	110	1594	1235	1165	81	<b>3204.81.00</b>
NS 4	DN 100	980	270	1465	110	2129	1745	1675	92	<b>3204.81.10</b>
NS 5.5	DN 150	570	230	1465	160	2129	1745	1675	95	<b>3205.81.00</b>
NS 7	DN 150	730	285	1675	160	2346	1960	1890	111	<b>3207.81.00</b>

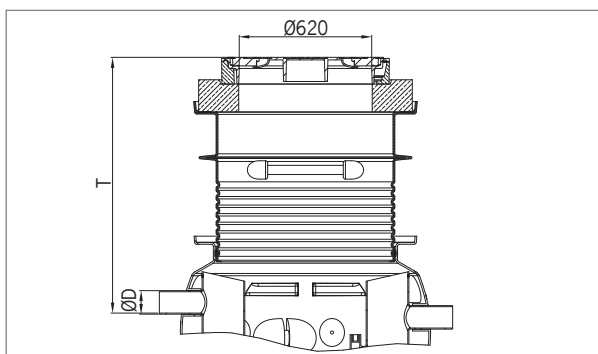
### Top section load class A 15 – Order data



- load class A 15 according to EN 124
- frame from concrete, cover from cast iron
- clear opening  $\varnothing$  600 mm
- cover odour proof sealed
- raising tube from polyethylene (only included with top section 3300.14.01 and 3300.14.02)

	NS 2	NS 4	NS 5.5	NS 7	Weight [kg]	Article No.
T [mm]	420	420	445	445	145	<b>3300.14.00</b>
	720-1020	720-1020	745-1045	745-1045	170	<b>3300.14.01</b>
	720-1985	720-1985	745-1855	745-1640	193	<b>3300.14.02</b>

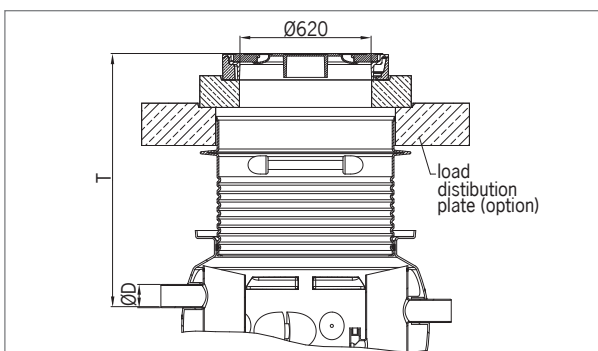
### Top section load class B 125 – Order data



- load class B 125 according to EN 124
- frame from concrete, cover from cast iron
- clear opening  $\varnothing$  600 mm
- cover odour proof sealed
- adapter plate from concrete  $\varnothing$  1000 mm x 150 mm
- raising tube from polyethylene (only included with top section 3300.15.01 and 3300.15.02)

	NS 2	NS 4	NS 5.5	NS 7	Weight [kg]	Article No.
T [mm]	585	585	610	610	282	<b>3300.15.00</b>
	885-1195	885-1195	910-1220	910-1220	307	<b>3300.15.01</b>
	885-1985	885-1985	910-1855	910-1640	330	<b>3300.15.02</b>

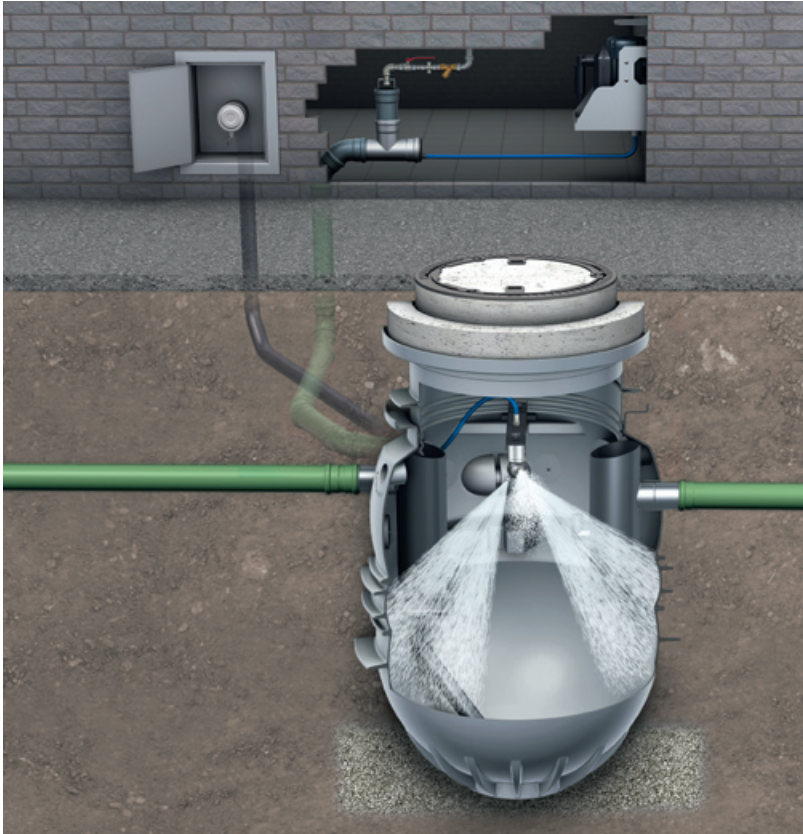
### Top section load class D 400 – Order data



- load class D 400 according to EN 124
- frame from concrete, cover from cast iron
- clear opening  $\varnothing$  600 mm
- cover odour proof sealed
- adapter plate from concrete  $\varnothing$  1000 mm x 150 mm
- raising tube from polyethylene
- selectively with load distribution plate from concrete  $\varnothing$  1500 mm x 200 mm

	NS 2	NS 4	NS 5.5	NS 7	Weight [kg]	Article No.
T [mm] without load distribution plate	865-1985	865-1765	890-1855	890-1640	330	<b>3300.17.00</b>
T [mm] with load distribution plate	865-1985	865-1765	890-1855	890-1640	1030	<b>3300.16.00</b>

**ACO Grease separator Lipumax P-DM – Extension stage 2**

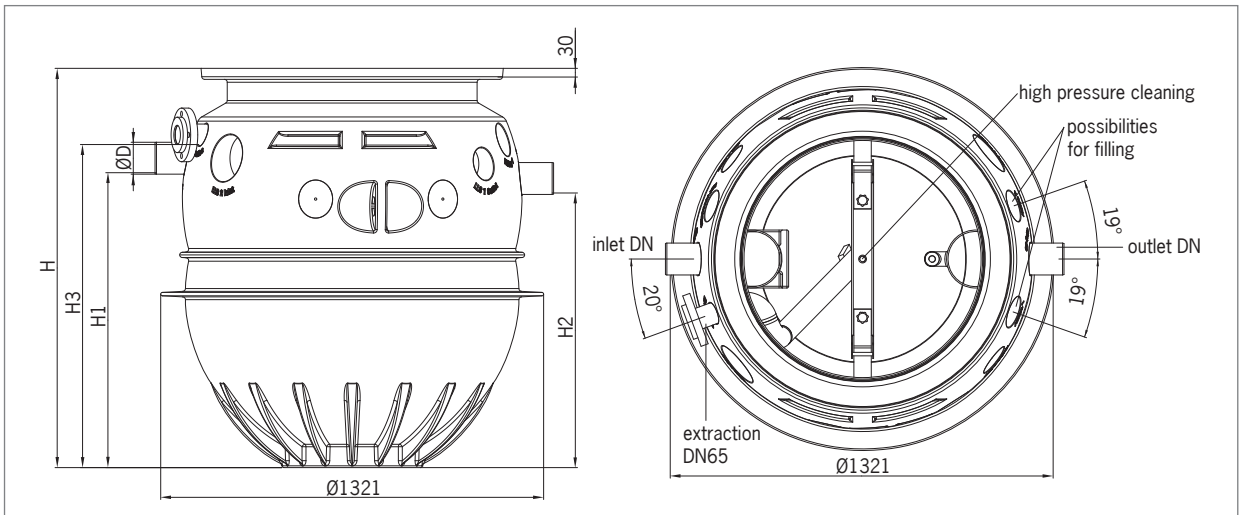


**Grease separator of polyethylene for below ground installation**

- according to EN 1825 and DIN 4040-100
- certificate
  - 7310374-01a (NS 2, NS 4)
  - 7310372-01 (NS 5.5)
  - 7310372-02 (NS 7)
- inlet and outlet connection according to outside diameter D depending on nominal size of separator
- disposal via direct suction line DN 65, PN 10, counter flange and Storz-75 B hose quick coupling and blind cover
- filling device 3/4" with manual operated ball valve to be installed inside a building with cold water supply
- high pressure internal cleaning
  - high-pressure pump with storage tank to be installed inside a building with cold water supply
  - manual controlled disposal
  - nominal pressure: 175 bar
  - flow rate: 13 litre/minute
  - electrical connection: 400 V/ 50 Hz/16 A/3,9 kW

Installation example shows ACO Lipumax P-DM NS 4 with a top section unit for load class B 125

**Lipumax P-DM – Order data**



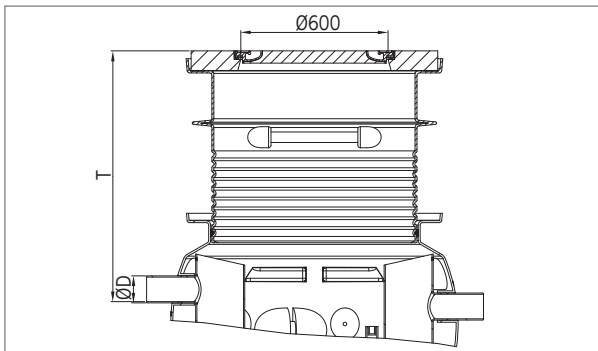
**Accessories**

- sampling pots and extension elements, page 16
- grease level sensor, page 16

- high-pressure hose, page 17
- Note! Always required for Lipumax P-DM.**

Nominal size	Nominal width	Volume sludge trap [l]	Volume grease storage [l]	Total capacity [l]	D [mm]	H [mm]	H1 [mm]	H2 [mm]	Weight [kg]	Article No.
NS 2	DN 100	245	270	720	110	1377	1015	945	119	<b>3202.82.00</b>
NS 2	DN 100	460	270	930	110	1594	1235	1165	134	<b>3202.82.10</b>
NS 4	DN 100	460	270	930	110	1594	1235	1165	134	<b>3204.82.00</b>
NS 4	DN 100	980	270	1465	110	2129	1745	1675	145	<b>3204.82.10</b>
NS 5.5	DN 150	570	230	1465	160	2129	1745	1675	148	<b>3205.82.00</b>
NS 7	DN 150	730	285	1675	160	2346	1960	1890	164	<b>3207.82.00</b>

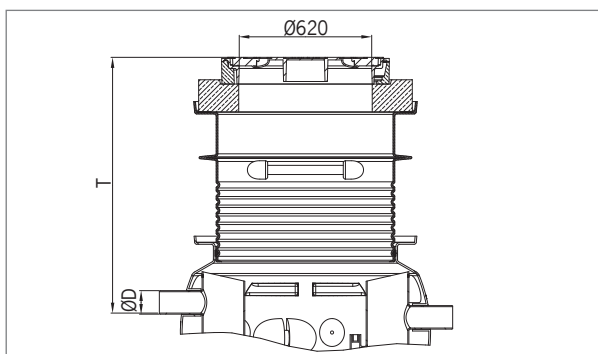
### Top section load class A 15 – Order data



- load class A 15 according to EN 124
- frame from concrete, cover from cast iron
- clear opening Ø 600 mm
- cover odour proof sealed
- raising tube from polyethylene (only included with top section 3300.14.01 and 3300.14.02)

	NS 2	NS 4	NS 5.5	NS 7	Weight [kg]	Article No.
T [mm]	420	420	445	445	145	<b>3300.14.00</b>
	720-1020	720-1020	745-1045	745-1045	170	<b>3300.14.01</b>
	720-1985	720-1985	745-1855	745-1640	193	<b>3300.14.02</b>

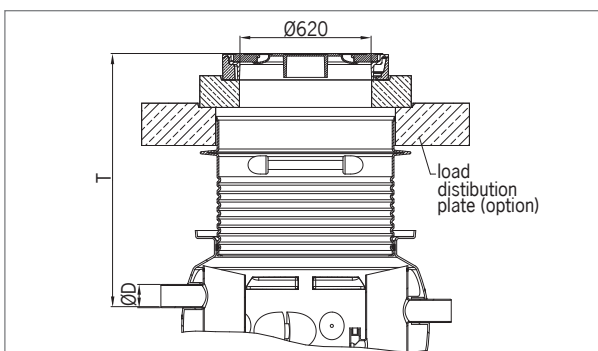
### Top section load class B 125 – Order data



- load class B 125 according to EN 124
- frame from concrete, cover from cast iron
- clear opening Ø 600 mm
- cover odour proof sealed
- adapter plate from concrete Ø 1000 mm x 150 mm
- raising tube from polyethylene (only included with top section 3300.15.01 and 3300.15.02)

	NS 2	NS 4	NS 5.5	NS 7	Weight [kg]	Article No.
T [mm]	585	585	610	610	282	<b>3300.15.00</b>
	885-1195	885-1195	910-1220	910-1220	307	<b>3300.15.01</b>
	885-1985	885-1985	910-1855	910-1640	330	<b>3300.15.02</b>

### Top section load class D 400 – Order data

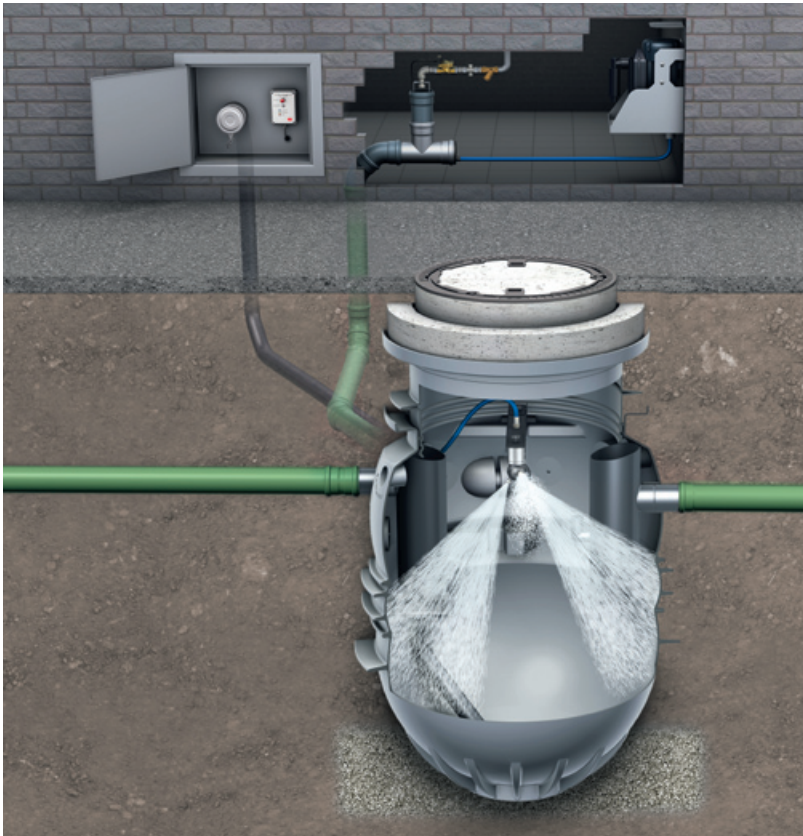


- load class D 400 according to EN 124
- frame from concrete, cover from cast iron
- clear opening Ø 600 mm
- cover odour proof sealed
- adapter plate from concrete Ø 1000 mm x 150 mm
- raising tube from polyethylene
- selectively with load distribution plate from concrete Ø 1500 mm x 200 mm

	NS 2	NS 4	NS 5.5	NS 7	Weight [kg]	Article No.
T [mm] without load distribution plate	865-1985	865-1765	890-1855	890-1640	330	<b>3300.17.00</b>
T [mm] with load distribution plate	865-1985	865-1765	890-1855	890-1640	1030	<b>3300.16.00</b>



**ACO Grease separator Lipumax P-DA – Extension stage 3**

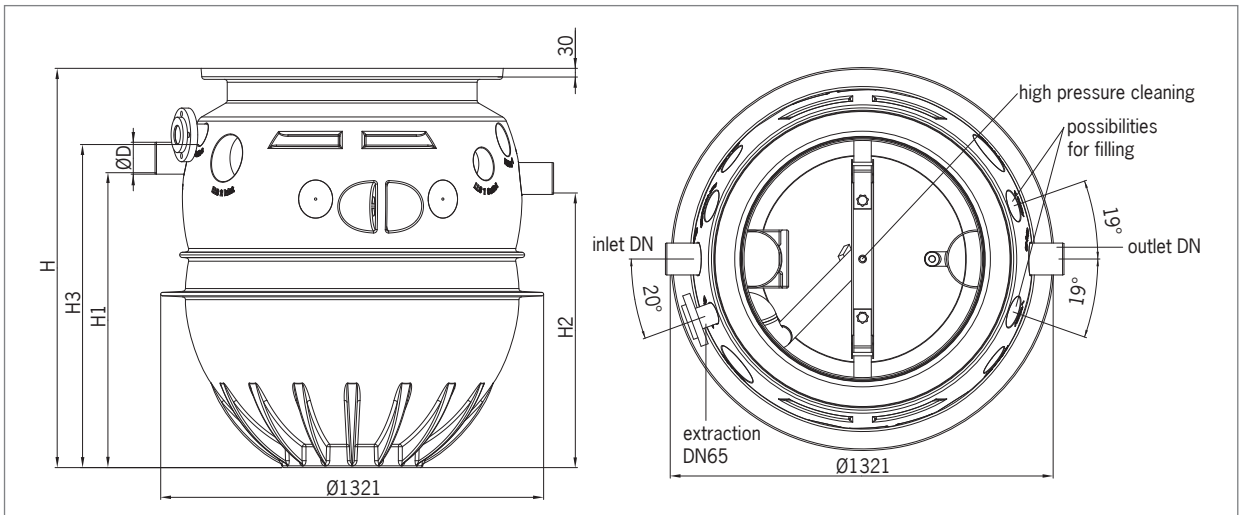


**Grease separator of polyethylene for below ground installation**

- according to EN 1825, DIN 4040-100
- certificate
  - 7310374-01a (NS 2, NS 4)
  - 7310372-01 (NS 5.5)
  - 7310372-02 (NS 7)
- inlet and outlet connection according to outside diameter D depending on nominal size of separator
- disposal via direct suction line DN 65, PN 10, counter flange and Storz-75 B hose quick coupling and blind cover
- filling device 3/4" with solenoid valve to be installed inside a building with cold water supply
- high pressure internal cleaning
  - high-pressure pump with storage tank to be installed inside a building with cold water supply
  - automatic program controlled disposal via remote control
  - nominal pressure: 175 bar
  - flow rate: 13 litre/minute
  - electrical connection: 400 V/ 50 Hz/16 A/3,9 kW

Installation example shows ACO Lipumax P-DA NS 4 with a top section unit for load class B 125

**Lipumax P-DA – Order data**



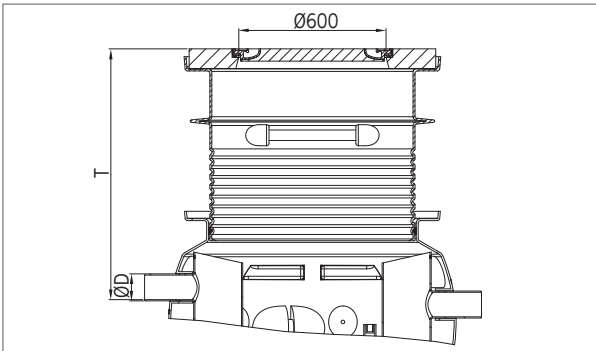
**Accessories**

- sampling pots and extension elements, page 16
- grease level sensor, page 16

- high-pressure hose, page 17
- Note! Always required for Lipumax P-DA.**

Nominal size	Nominal width	Volume sludge trap [l]	Volume grease storage [l]	Total capacity [l]	D [mm]	H [mm]	H1 [mm]	H2 [mm]	Weight [kg]	Article No.
NS 2	DN 100	245	270	720	110	1377	1015	945	123	<b>3202.83.00</b>
NS 2	DN 100	460	270	930	110	1594	1235	1165	138	<b>3202.83.10</b>
NS 4	DN 100	460	270	930	110	1594	1235	1165	138	<b>3204.83.00</b>
NS 4	DN 100	980	270	1465	110	2129	1745	1675	149	<b>3204.83.10</b>
NS 5.5	DN 150	570	230	1465	160	2129	1745	1675	152	<b>3205.83.00</b>
NS 7	DN 150	730	285	1675	160	2346	1960	1890	168	<b>3207.83.00</b>

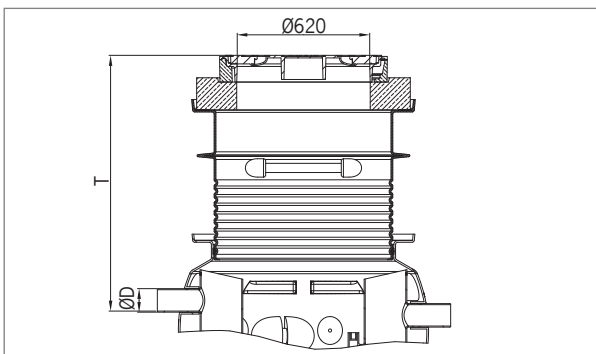
**Top section load class A 15 – Order data**



- load class A 15 according to EN 124
- frame from concrete, cover from cast iron
- clear opening  $\varnothing$  600 mm
- cover odour proof sealed
- raising tube from polyethylene (only included with top section 3300.14.01 and 3300.14.02)

	NS 2	NS 4	NS 5.5	NS 7	Weight [kg]	Article No.
T [mm]	420	420	445	445	145	<b>3300.14.00</b>
	720-1020	720-1020	745-1045	745-1045	170	<b>3300.14.01</b>
	720-1985	720-1985	745-1855	745-1640	193	<b>3300.14.02</b>

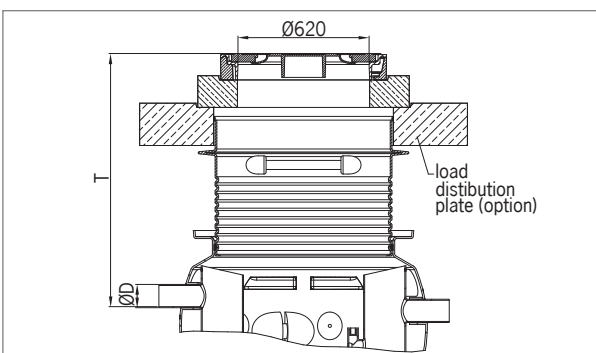
**Top section load class B 125 – Order data**



- load class B 125 according to EN 124
- frame from concrete, cover from cast iron
- clear opening  $\varnothing$  600 mm
- cover odour proof sealed
- adapter plate from concrete  $\varnothing$  1000 mm x 150 mm
- raising tube from polyethylene (only included with top section 3300.15.01 and 3300.15.02)

	NS 2	NS 4	NS 5.5	NS 7	Weight [kg]	Article No.
T [mm]	585	585	610	610	282	<b>3300.15.00</b>
	885-1195	885-1195	910-1220	910-1220	307	<b>3300.15.01</b>
	885-1985	885-1985	910-1855	910-1640	330	<b>3300.15.02</b>



**Top section load class D 400 – Order data**



- load class D 400 according to EN 124
- frame from concrete, cover from cast iron
- clear opening  $\varnothing$  600 mm
- cover odour proof sealed
- adapter plate from concrete  $\varnothing$  1000 mm x 150 mm
- raising tube from polyethylene
- selectively with load distribution plate from concrete  $\varnothing$  1500 mm x 200 mm

	NS 2	NS 4	NS 5.5	NS 7	Weight [kg]	Article No.
T [mm] without load distribution plate	865-1985	865-1765	890-1855	890-1640	330	<b>3300.17.00</b>
T [mm] with load distribution plate	865-1985	865-1765	890-1855	890-1640	1030	<b>3300.16.00</b>

## Accessories for ACO Grease separators Lipumax P

	Product description	Model	Article No.
	<p><b>Concrete supporting rings</b> for increasing inlet invert with Lipumax P grease separators load class B or D between cover plate and extension</p>	ARV 625 x 60 ARV 625 x 80 ARV 625 x 100	<b>8700.20.00</b> <b>8700.20.10</b> <b>8700.20.20</b>
	<p><b>Sampling pot from polyethylene diameter 450 mm</b> for below ground installations downstream grease separators, with cast iron/concrete cover for load class D odour proof</p>	DN 100, with 160 mm gradient DN 100, with 30 mm gradient DN 150, with 160 mm gradient DN 150, with 75 mm gradient	<b>3300.13.10</b> <b>3300.13.11</b> <b>3300.13.20</b> <b>3300.13.21</b>
	<p><b>Extension element from polyethylene</b> for install aforementioned sampling shaft at a deeper position, extension height 100 to 650 mm, can be shortened at 45 mm intervals by cutting at the cutting marks</p>		<b>3300.13.00</b>
	<p><b>Sampling equipment</b> for grease separators/light liquid separators for below ground installation. Sampling equipment consisting of manual pump and suction coupling, connecting hose and suction coupling and bolt connection</p> <p>Suitable for inlet invert maximum T = 3,000 mm</p>		<b>8800.00.10</b>
	<p><b>Grease level sensor</b> measuring device for grease layer thickness for grease separators for below ground installation. Suitable for liquid and hardening fats. Device with two dry contacts for report of filling status 50% and 80% to Building Monitoring System. With heated sensor head for save operation</p> <p>electrical connection: 230 V AC/50 Hz/12 W</p>	cable length: 10 m cable length: 20 m cable length: 30 m	<b>3300.11.70</b> <b>3300.11.71</b> <b>3300.11.72</b>
	<p><b>Sealing ring</b> for ventilation connection</p>		<b>0150.34.32</b>

	Product description	Model	Article No.
	<p><b>High-pressure hose</b> for connection between high-pressure pump (installed inside a building) and spray head of grease separator</p>	<p>length: 10 m length: 20 m length: 30 m</p>	<p><b>0150.33.62</b> <b>0150.33.63</b> <b>0150.33.64</b></p>
	<p><b>Connection box</b> from stainless steel, material grade 316, for wall-mounted installation of disposal connection DN 65, W x H x D = 370 x 330 x 250 mm</p> <p>Suitable for grease separators Lipumax P-D and Lipumax P-DM</p>		<b>7601.80.22</b>
	<p><b>Flush-mounted frame</b> from stainless steel, material grade 304, W x H x D = 421 x 381 x 25 mm</p> <p>Suitable for connection box 7601.80.22</p>		<b>7601.80.23</b>
	<p><b>Connection box</b> from stainless steel, material grade 316, for wall-mounted installation of disposal connection DN 65, W x H x D = 370 x 330 x 250 mm</p> <p>Suitable for grease separators Lipumax P-DA</p>		<b>7601.80.20</b>
	<p><b>Flush-mounted frame</b> from stainless steel, material grade 304, W x H x D = 421 x 381 x 25 mm</p> <p>Suitable for connection box 7601.80.20</p>		<b>7601.80.21</b>
	<p><b>Street cap</b> frame and cover from cast iron for installation of disposal connection of grease separators Lipumax P-D/-DM and -DA</p>		<b>5354.00.00</b>