

Separators for

below ground installation

Rotomoulded tank system



ACO Grease, starch and light liquid separators for below ground installation

Commercial operations generating wastewater must implement appropriate measures, by using suitable pre-treatment installations like separators, to ensure that solids and liquids which can give off toxic and unpleasant vapours and odours are prevented from damaging construction materials and drainage facilities, harming operations, and are held back so that they do not enter sewage pipes.



Lipumax P-D

Medium cleaning and disposal comfort

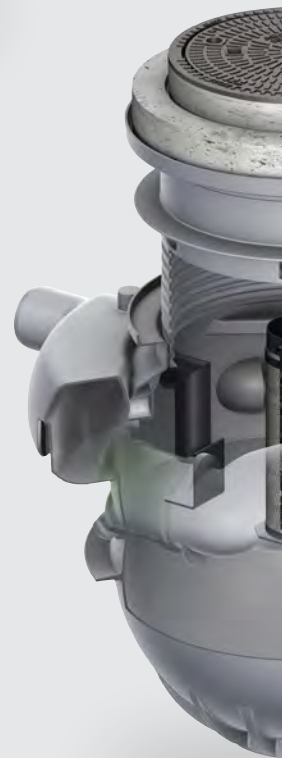
Page 13



Fapumax P-DA

Premium cleaning and disposal comfort

Page 19



Sludge Trap P

ACO Sludge Traps P-SD

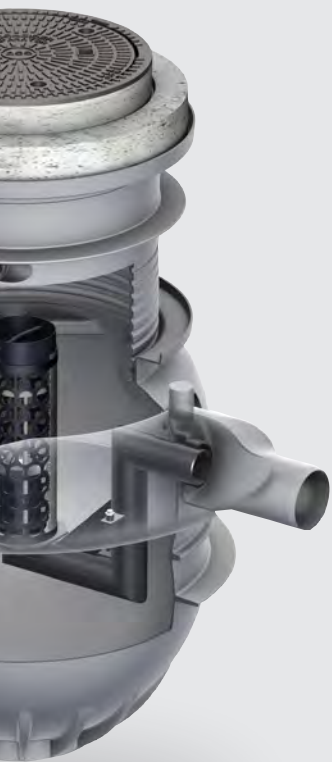
Page 32



Oleopass P

ACO Light liquid separator
Oleopator P – Class I

Page 27



General information 04

Grease separators

Lipumax P-SD	11
Lipumax P-B Basic Model	13
Lipumax P-B Extension Stage 1	14
Lipumax P-DM Extension Stage 2	15
Lipumax P-DA Extension Stage 3	16
Top Sections	17

Starch separators

Fapumax P-B Basic Model	19
Fapumax P-DA Extension Stage 3	20
Top Sections	21

Light liquid separators

Oleopator P-SD	24
Oleopass P-SD	25
Oleopator P Class I	27
Oleopass P Class I with bypass	28
Top Sections	29

Sludge traps

Sludge Trap P-SD	32
Sludge Trap P	34
Top Sections	35

Accessories 37

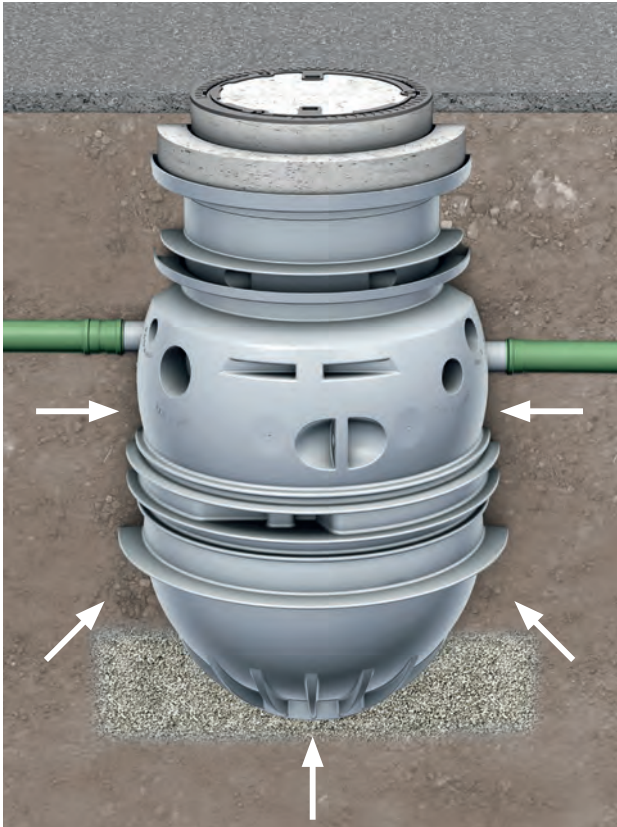
The rotomoulded tank system

Quality standards and tests

All ACO Grease separators are manufactured in accordance with EN 1825, all ACO Light liquid separators are manufactured in accordance with EN 858. All the separators in the range are hydraulically tested and have General Building Supervisory Authority Authorisation and/or the new application authorisation from DIBT Berlin.



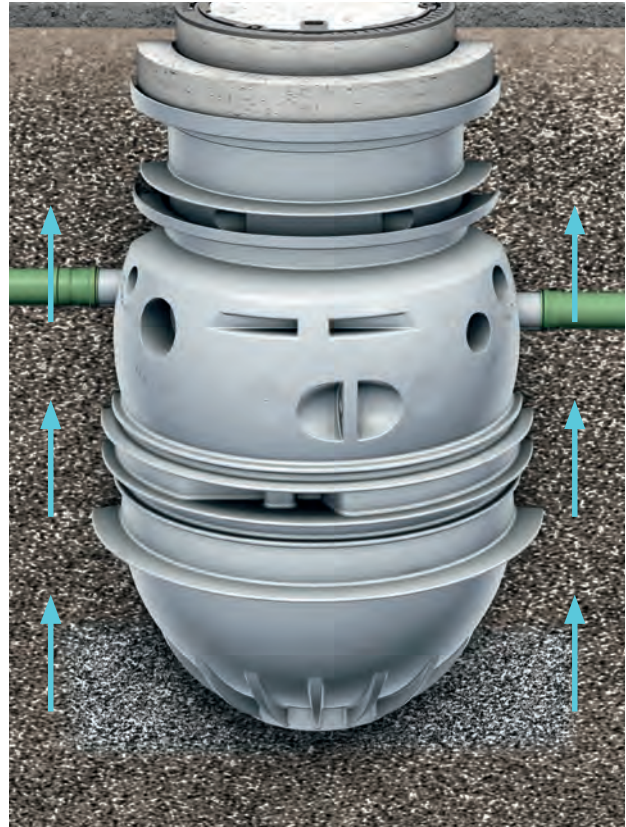
Structural stability



Product stability guaranteed for 50 years

- Certified statics have been calculated for the tank system
- The tank system supplies structural stability for 50 years

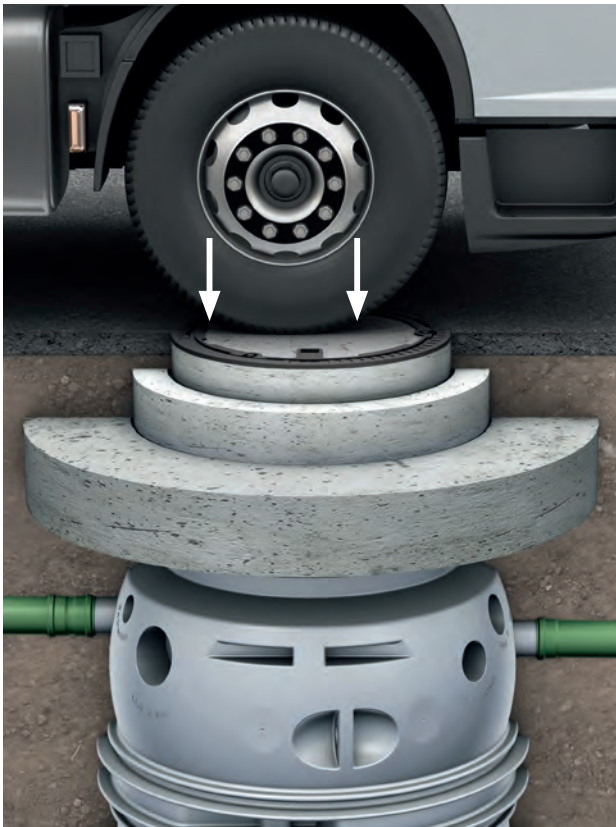
Protection against upwelling



Protection against ground water

- Depending on the maximum allowed inlet invert and the load class applied, the separators can be installed in areas with groundwater without additional concrete castings

Available for load class A, B or D



Flexible application

- Load class A15
- Load class B125
- Load class D400

Selecting the correct separator



When do grease separators have to be used?

Operations generating greasy wastewater have a mandatory obligation to install EN 1825 type grease separators to ensure that grease and organic oil is effectively removed from the wastewater. This applies for instance to kitchens and meat-processing operations. It is mandatory for every grease separator installed below the backflow level (usually corresponding to street level) to have a downstream twin lifting plant or complete pumping station. Each industry and commercial operation places individual demands on the capacity of grease separators, lifting plant and complete piping stations. Customisation therefore requires adaptable products in a wide range of sizes and materials. ACO has many decades of experience in supplying the most diverse range of grease separators, lifting plants and complete pumping stations for ground installation and free-standing installation.



When do light liquid separators have to be used?

The use of light liquid separators is stipulated by the regulations in DIN 1986-100, Section 6.2.3: "If petroleum or light oils, especially those that are combustible or can form explosive atmospheres, enter the sewers, separator systems for light oils must be used downstream of the discharge points." Discharging petroleum and light oils into public sewers can cause groundwater and drinking water contamination, and in serious cases, cause extensive environmental damage to flora and fauna. The solution to this problem is a light oil separator. Any light oil in the wastewater is collected in a separator tank and prevented from being discharged from the separator. The discharge outlet closes automatically when the maximum storage capacity has been reached. The light oil which collects in the separator is disposed of by certified recycling companies at regular intervals.

ACO Grease separator series Lipumax P from polyethylene

LOW cleaning and disposal comfort



Lipumax P-B/P-SD disposal and cleaning via cover

Since disposal has to be done via the open manhole cover, it is recommended to install the grease separators in areas where the occurrence of stench does not pose inconveniences to the surroundings.

MEDIUM cleaning and disposal comfort



Lipumax P-D disposal with direct suction, cleaning via cover

It is possible to install a suction line DN 65 and an appropriate coupling on site. Lipumax P-D grease separator with direct suction extraction is ideal for installation in areas where disposal via the manhole cover is not possible, in pedestrian zones or outdoor catering areas for instance.

HIGH cleaning and disposal comfort



Lipumax P-DM disposal with direct suction and cleaning with integrated spray head (manual control)

It is possible to install a suction line DN 65 and an appropriate coupling on site. The integrated high-pressure cleaning unit has to be operated manually and connected to a cold water supply.

Disposal and cleaning of the separator is accomplished via the direct suction and the high-pressure cleaning. Therefore, for disposal the cover has not to be removed. After the disposal and the cleaning, the separator is re-filled manually via the filling device. outdoor catering areas for instance.

PREMIUM cleaning and disposal comfort



Lipumax P-DA disposal with direct suction and cleaning with integrated spray head (automatic control)

It is possible to install a suction line DN 65 and an appropriate coupling on site. The integrated high-pressure cleaning unit has to be connected to a cold water supply and is automatically operated.

Disposal and cleaning of the separator is accomplished automatically by using a remote control via the direct suction and the high-pressure cleaning. Therefore, for disposal the cover has not to be removed. After the disposal and the cleaning, the separator is re-filled automatically via the filling device which has to be connected to a cold water supply.

ACO Starch Separator series Fapumax P from polyethylene

LOW cleaning and disposal comfort



Fapumax P-B disposal and cleaning via cover

Since disposal has to be done via the open manhole cover, it is recommended to install the starch separators in areas where the occurrence of stench does not pose inconveniences to the surroundings. The spray shower head serves to rinse off the starch.

PREMIUM cleaning and disposal comfort



Fapumax P-DA disposal with direct suction and cleaning with integrated spray head (automatic control)

It is possible to install a suction line DN 65 and an appropriate coupling on site. The integrated high-pressure cleaning unit has to be connected to a cold water supply and is automatically operated. The spray shower head serves to rinse off the starch. The spray shower head serves to rinse off the starch. Disposal and cleaning of the separator is accomplished automatically by using a remote control via the direct suction and the high-pressure cleaning. Therefore, for disposal the cover has not to be removed. After the disposal and cleaning, the separator is re-filled automatically via the filling device which has to be connected to an cold water supply.

ACO Light Liquid Separator series Oleopator P and Oleopass P from polyethylene



Oleopator P/P-SD – Class I

Oleopator P Class I light liquids separators are designed for ground installation outside of buildings, to treat waste water from industrial processes or oil contaminated rainwater from impervious areas or to retain any spillage of light liquid and to protect surrounding areas. Depending on the load class and nominal size, the inlet invert varies between 450–2000 mm. Light liquid separators can be equipped with top sections for the load classes A 15, B 125 or D 400 according EN 124.



Oleopass P/P-SD – Class I with bypass

Oleopass P Class I light liquid separators with bypass are designed for ground installation outside of buildings, to treat oil contaminated rainwater from impervious areas or to retain any spillage of light liquid and to protect surrounding areas. It is not possible to use the separators with bypass to treat waste water from industrial processes, vehicle washing, cleansing of oil covered parts or other sources, e.g. petrol stations. Depending on the load class and nominal size, the inlet invert varies between 450–2000 mm. Light liquid separators can be equipped with top sections for the load classes A 15, B 125 or D 400 according EN 124.

ACO Sludge Trap series from polyethylene



Sludge Trap P/P-SD

Sedimentation tanks are designed for ground installation outside of buildings, to treat polluted wastewater with huge contents of solids before the light liquid separator.

Depending on the load class and total volume, the inlet invert varies between 415–2000 mm.

ACO Grease Separator P-SD with integrated top section



- For selected Nominal Sizes of grease separators, up to NS 5.5
- With integrated raising tube
- Load classes A, B or D
- No buoyancy protection needed if inlet invert does not exceed 800 mm



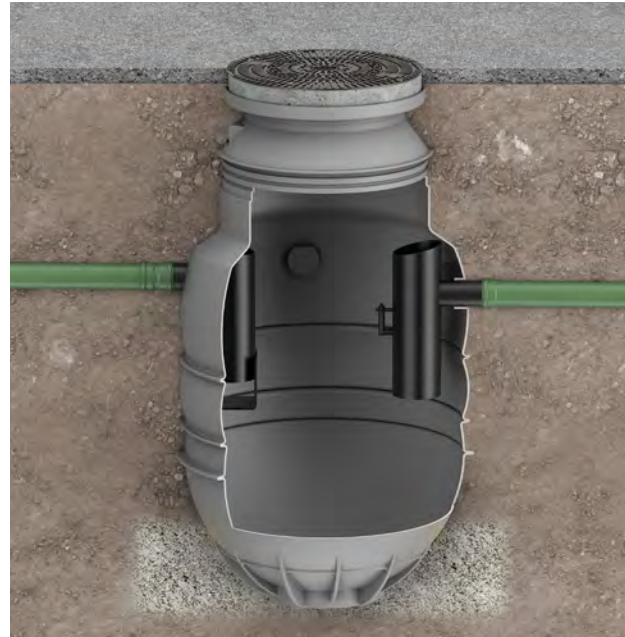
ACO Grease Separator Lipumax P-SD with integrated top section

Product information

Grease separator of polyethylene for below ground installation

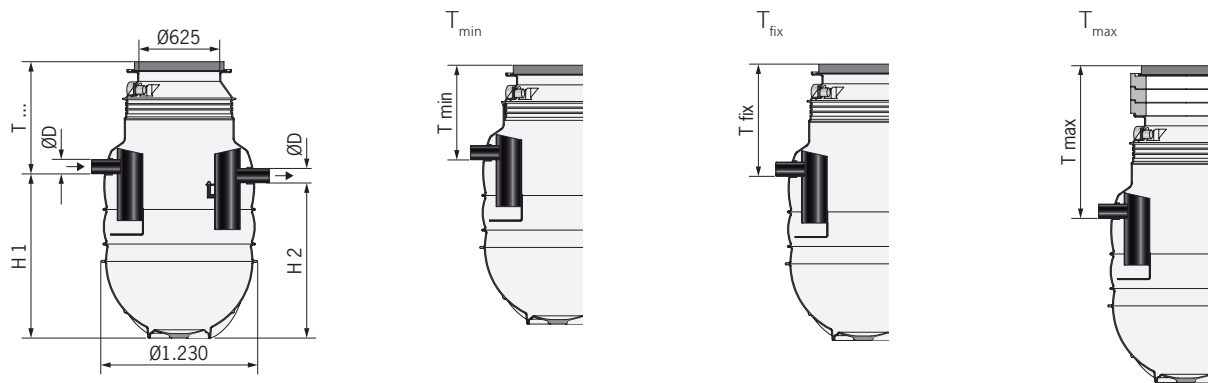
- according to EN 1825
- type test report
- 7310374-01a (NS 2 & NS 4)
- 7310372-01 (NS 5.5)
- inlet and outlet connection according to outside diameter D depending on Nominal Size of separator
- disposal and cleaning via cover
- with integrally formed raising tube for varying inlet heights
- optionally upgradable with concrete supporting rings 60, 80 and 100 mm up to inlet invert Tmax
- with flat ring for sealing between cover and separator

Note: Cover (accessory) is not included



Installation example shows ACO Lipumax P-SD NS4 for load class B125

Lipumax P-SD – Order data



Nominal size	Nominal width	Volume sludge trap [l]	Volume grease storage [l]	Total capacity [l]	D [mm]	H1 [mm]	H2 [mm]	Class A/B			Weight [kg]	Article No. [grey]
								Tmin*1 [mm]	Tfix*2 [mm]	Tmax [mm]		
NS 2	DN 100	241	270	731	110	1015	945	741	870	1320	64	3202.40.00
NS 2	DN 100	516	270	1009	110	1286	1216	741	870	1320	75	3202.40.10
NS 4	DN 100	516	270	1009	110	1286	1216	741	870	1320	75	3204.40.00
NS 4	DN 100	998	270	1476	110	1768	1698	741	870	1230	90	3204.40.10
NS 5.5	DN 150	569	230	1465	160	1743	1673	760	893	1260	93	3205.40.00

*1 load class D does not have Tmin

*2 load class A15 and B125 only, for load class D, 270 mm have to be added

ACO Grease Separator P with separated top section



- For selected Nominal Sizes of grease separators, up to NS 10
- With integrated raising tube
- Load classes A/B or D
- No buoyancy protection needed for load class A/B when inlet invert does not exceed 500 mm
- No buoyancy protection needed for load class D

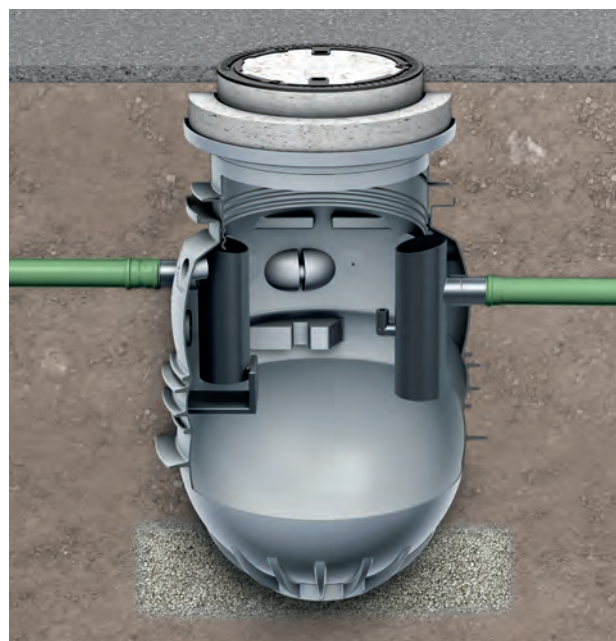


ACO Grease Separator Lipumax P-B – Basic model

Product information

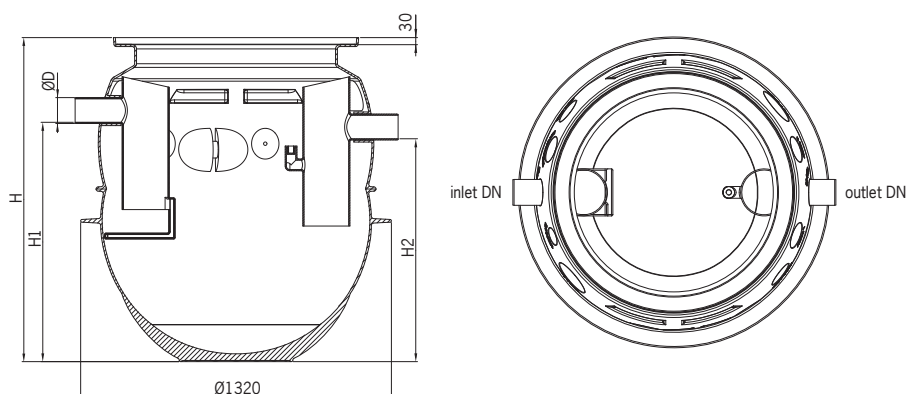
Grease separator of polyethylene for below ground installation

- according to EN 1825 and DIN 4040-100
- certificate
 - 7310374-01a (NS 2, NS 4)
 - 7310372-01 (NS 5.5)
 - 7310372-02 (NS 7)
 - 7311241-01 (NS 8.5, NS 10)
- inlet and outlet connection according to outside diameter D depending on nominal size of separator
- disposal and cleaning via cover



Installation example shows ACO Lipumax P-B NS 4 with a top section unit for load class B 125

Lipumax P-B – Order data



Accessories

- sampling pots and extension elements, page 18
- grease level sensor, page 19

Nominal size	Nominal width	Volume sludge trap [l]	Volume grease storage [l]	Total capacity [l]	D [mm]	H [mm]	H1 [mm]	H2 [mm]	Weight [kg]	Article No. [grey]
NS 2	DN 100	245	270	720	110	1377	1015	945	63	3202.80.00
NS 2	DN 100	460	270	930	110	1594	1235	1165	79	3202.80.10
NS 4	DN 100	460	270	930	110	1594	1235	1165	79	3204.80.00
NS 4	DN 100	980	270	1465	110	2129	1745	1675	89	3204.80.10
NS 5.5	DN 150	570	230	1465	160	2129	1745	1675	93	3205.80.00
NS 5.5	DN 150	1065	230	1960	160	2611	2226	2156	108	3205.80.10
NS 7	DN150	730	285	1675	160	2346	1960	1890	108	3207.80.00
NS 8.5	DN 150	860	360	1900	160	2558	2172	2102	115	3208.80.00
NS 10	DN150	1010	415	2170	160	2828	2373	2373	125	3210.80.00

ACO Grease Separator Lipumax P-D – Extension stage 1

Product information

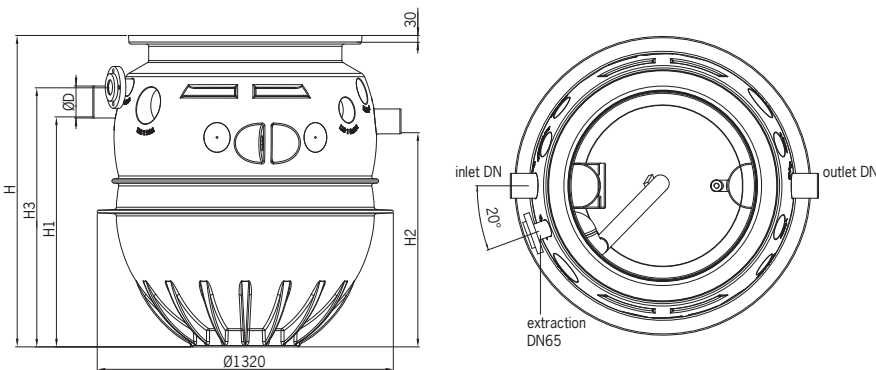
Grease separator of polyethylene for below ground installation

- according to EN 1825 and DIN 4040-100
- certificate
 - 7310374-01a (NS 2, NS 4)
 - 7310372-01 (NS 5.5)
 - 7310372-02 (NS 7)
 - 7311241-01 (NS 8.5)
 - 7311241-02 (NS 10)
- inlet and outlet connection according to outside diameter D depending on nominal size of separator
- disposal via direct suction line DN 65, PN 10, counter flange and Storz-75 B hose quick coupling and blind cover
- cleaning via cover



Installation example shows ACO Lipumax P-D NS 4 with a top section unit for load class B 125

Lipumax P-D – Order data



Accessories

- sampling pots and extension elements, page 18
- grease level sensor, page 19

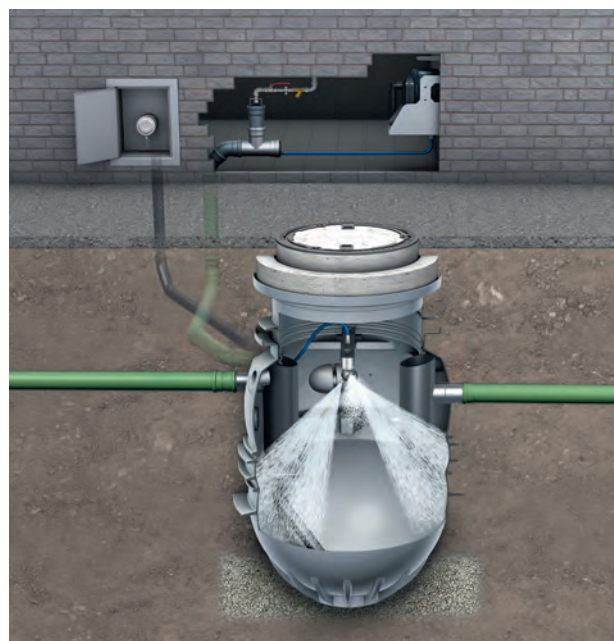
Nominal size	Nominal width	Volume sludge trap [l]	Volume grease storage [l]	Total capacity [l]	D [mm]	H [mm]	H1 [mm]	H2 [mm]	H3 [mm]	Weight [kg]	Article No. [grey]
NS 2	DN 100	245	270	720	110	1377	1015	945	1147	66	3202.81.00
NS 2	DN 100	460	270	930	110	1594	1235	1165	1364	81	3202.81.10
NS 4	DN 100	460	270	930	110	1594	1235	1165	1364	81	3204.81.00
NS 4	DN 100	980	270	1465	110	2129	1745	1675	1899	92	3204.81.10
NS 5.5	DN 150	570	230	1465	160	2129	1745	1675	1899	95	3205.81.00
NS 5.5	DN 150	1065	230	1960	160	2611	2226	2156	2381	111	3205.81.10
NS 7	DN150	730	285	1675	160	2346	1960	1890	2116	111	3207.81.00
NS 8.5	DN 150	860	360	1900	160	2558	2172	2102	2328	118	3208.81.00
NS 10	DN150	1010	415	2170	160	2828	2373	2373	2598	128	3210.81.00

ACO Grease Separator Lipumax P-DM – Extension stage 2

Product information

Grease separator of polyethylene for below ground installation

- according to EN 1825, DIN 4040-100
- certificate
 - 7310374-01a (NS 2, NS 4)
 - 7310372-01 (NS 5.5)
 - 7310372-02 (NS 7)
 - 7311241-01 (NS 8.5)
 - 7311241-02 (NS 10)
- inlet and outlet connection according to outside diameter D depending on nominal size of separator
- disposal via direct suction line DN 65, PN 10, counter flange and Storz-75 B hose quick coupling and blind cover
- filling device ¾" with manual operated ball valve to be installed inside a building with cold water supply
- high pressure internal cleaning
 - high-pressure pump with storage tank to be installed inside a building with cold water supply
 - manual controlled disposal
 - nominal pressure: 175 bar
 - flow rate: 13 litre/minute
 - electrical connection: 400 V/ 50 Hz/16 A/3,9 kW



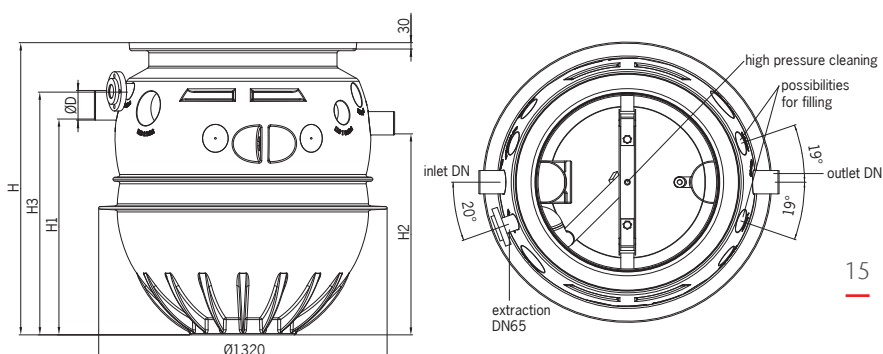
Installation example shows ACO Lipumax P-DM NS 4 with a top section unit for load class B 125

Lipumax P-DM – Order data

Accessories

- sampling pots and extension elements, page 18
- grease level sensor, page 19
- high-pressure hose, page 19

Note! Always required for Lipumax P-DM



15

Nominal size	Nominal width	Volume sludge trap	Volume grease storage	Total capacity	D	H	H1	H2	H3	Weight	Article No.
		[l]	[l]	[l]	[mm]	[mm]	[mm]	[mm]	[mm]	[kg]	[grey]
NS 2	DN 100	245	270	720	110	1377	1015	945	1147	119	3202.82.00
NS 2	DN 100	460	270	930	110	1594	1235	1165	1364	134	3202.82.10
NS 4	DN 100	460	270	930	110	1594	1235	1165	1364	134	3204.82.00
NS 4	DN 100	980	270	1465	110	2129	1745	1675	1899	145	3204.82.10
NS 5.5	DN 150	570	230	1465	160	2129	1745	1675	1899	148	3205.82.00
NS 5.5	DN 150	1065	230	1960	160	2611	2226	2156	2381	164	3205.82.10
NS 7	DN150	730	285	1675	160	2346	1960	1890	2116	164	3207.82.00
NS 8.5	DN 150	860	360	1900	160	2558	2172	2102	2328	171	3208.82.00
NS 10	DN150	1010	415	2170	160	2828	2373	2373	2598	181	3210.82.00

ACO Grease Separator Lipumax P-DA – Extension stage 3

Product information

Grease separator of polyethylene for below ground installation

- according to EN 1825, DIN 4040-100
- certificate
 - 7310374-01a (NS 2, NS 4)
 - 7310372-01 (NS 5.5)
 - 7310372-02 (NS 7)
 - 7311241-01 (NS 8.5)
 - 7311241-02 (NS 10)
- inlet and outlet connection according to outside diameter D depending on nominal size of separator
- disposal via direct suction line DN 65, PN 10, counter flange and Storz-75 B hose quick coupling and blind cover
- filling device 3/4" with solenoid valve to be installed inside a building with cold water supply
- high pressure internal cleaning
 - high-pressure pump with storage tank to be installed inside a building with cold water supply
 - automatic program controlled disposal via remote control
 - nominal pressure: 175 bar
 - flow rate: 13 litre/minute
 - electrical connection: 400 V/ 50 Hz/16 A/3,9 kW



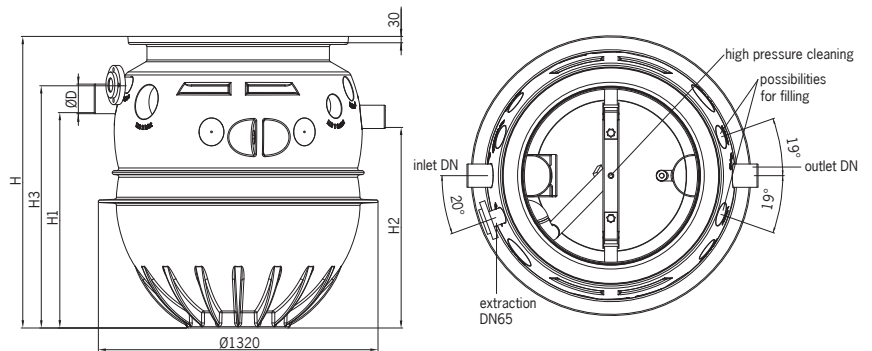
Installation example shows ACO Lipumax P-DA NS 4 with a top section unit for load class B 125

Lipumax P-DM – Order data

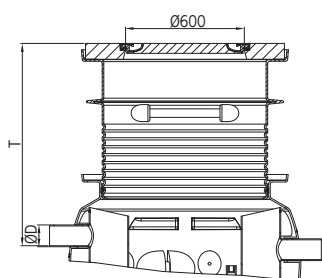
Accessories

- sampling pots and extension elements, page 18
- grease level sensor, page 19
- high-pressure hose, page 19

Note! Always required for Lipumax P-DM

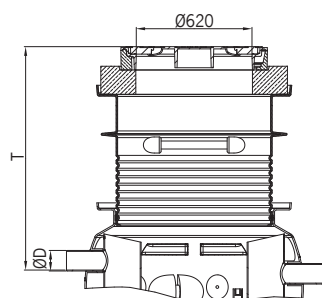


Nominal size	Nominal width	Volume	Volume	Total capacity	D	H	H1	H2	H3	Weight	Article No.
		sludge trap	grease storage								
		[l]	[l]	[l]	[mm]	[mm]	[mm]	[mm]	[mm]	[kg]	[grey]
NS 2	DN 100	245	270	720	110	1377	1015	945	1147	123	3202.83.00
NS 2	DN 100	460	270	930	110	1594	1235	1165	1364	138	3202.83.10
NS 4	DN 100	460	270	930	110	1594	1235	1165	1364	138	3204.83.00
NS 4	DN 100	980	270	1465	110	2129	1745	1675	1899	149	3204.83.10
NS 5.5	DN 150	570	230	1465	160	2129	1745	1675	1899	152	3205.83.00
NS 5.5	DN 150	1065	230	1960	160	2611	2226	2156	2381	167	3205.83.10
NS 7	DN150	730	285	1675	160	2346	1960	1890	2116	168	3207.83.00
NS 8.5	DN 150	860	360	1900	160	2558	2172	2102	2328	175	3208.83.00
NS 10	DN150	1010	415	2170	160	2828	2373	2373	2598	185	3210.83.00

Top section 800, load class A 15 – Order data

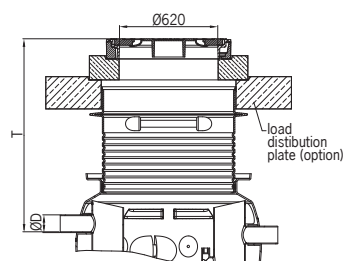
- load class A 15 according to EN 124
- frame from concrete, cover from cast iron
- clear opening Ø 600 mm
- cover odour proof sealed
- raising tube from polyethylene (only included with top section 3300.14.01 and 3300.14.02)

	NS 2 ST 200	NS 2 ST 400	NS 4 ST 400	NS 4 ST 800	NS 5.5 ST 550	NS 5.5 ST 1100	NS 7 ST 700	NS 8.5 ST 850	NS 10 ST 1000	Weight	Article No.	
											[kg]	[grey]
T	420	420	420	420	445	445	445	445	445	142	3300.14.00	
[mm]	720-1020	720-1020	720-1020	720-1020	745-1045	745-1045	745-1045	745-1045	745-1045	170	3300.14.01	
	720-1985	720-1765	720-1765	720-1830	745-1855	745-1370	745-1640	745-1430	745-1160	193	3300.14.02	

Top section 800, load class B 125 – Order data

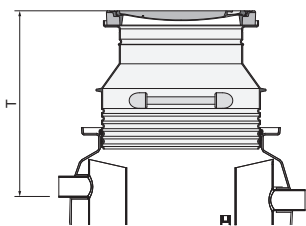
- load class B 125 according to EN 124
- frame from concrete, SAKU cover from polyethylene
- clear opening Ø 600 mm
- cover odour proof sealed
- adapter plate from concrete Ø 1000 mm x 150 mm
- raising tube from polyethylene (only included with top section 3300.15.01 and 3300.15.02)

	NS 2 ST 200	NS 2 ST 400	NS 4 ST 400	NS 4 ST 800	NS 5.5 ST 550	NS 5.5 ST 1100	NS 7 ST 700	NS 8.5 ST 850	NS 10 ST 1000	Weight	Article No.	
											[kg]	[grey]
T	585	585	585	585	610	610	610	610	610	220	3300.15.00	
[mm]	885-1195	885-1195	885-1195	885-1195	910-1220	910-1220	910-1220	910-1220	910-1220	307	3300.15.01	
	885-1985	885-1765	885-1765	885-1830	910-1855	910-1370	910-1640	910-1430	910-1160	330	3300.15.02	

Top section 800, load class D 400 – Order data

- load class D 400 according to EN 124
- frame from concrete, cover from cast iron
- clear opening Ø 600 mm
- cover odour proof sealed
- adapter plate from concrete Ø 1000 mm x 150 mm
- raising tube from polyethylene
- selectively with load distribution plate from concrete Ø 1500 mm x 200 mm

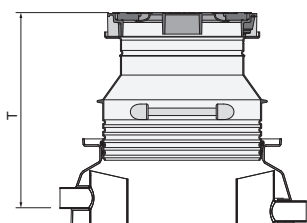
	NS 2 ST 200	NS 2 ST 400	NS 4 ST 400	NS 4 ST 800	NS 5.5 ST 550	NS 5.5 ST 1100	NS 7 ST 700	NS 8.5 ST 850	NS 10 ST 1000	Weight	Article No.	
											[kg]	[grey]
T [mm] without load distribution plate	865-1985	865-1765	865-1765	865-1830	890-1855	890-1370	890-1640	890-1430	890-1160	330	3300.17.00	
T [mm] without load distribution plate	865-1985	865-1765	865-1765	865-1830	890-1855	890-1370	890-1640	890-1430	890-1160	1030	3300.16.00	

Top section 600, load class A 15 – Order data

- load class A 15 according to EN 124
- frame from concrete, cover from cast iron
- clear opening Ø 600 mm
- cover odour proof sealed
- raising tube from polyethylene

*installation height can also be realized with item 3300.34.02

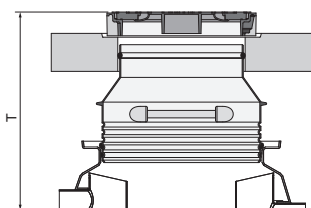
	NS 2	NS 2	NS 4	NS 4	NS 5.5	NS 5.5	NS 7	NS 8.5	NS 10	Weight	Article No.	
	ST 200	ST 400	ST 400	ST 800	ST 550	ST 1100	ST 700	ST 850	ST 1000			
											[kg]	[grey]
T [mm]	850-960	850-960	850-960	870-980	870-980	870-980	870-980	870-980	870-980	870-980	107	3300.34.11
	850-1410	850-1410	850-1410	870-1430	870-1430	870-1370	870-1430	870-1430	870-1150	870-1150	111	3300.34.12
	840-1980	850-1760	850-1760	870-1850	870-1850	870-1370*	870-1640	870-1430*	870-1150*	870-1150*	119	3300.34.13

Top section 600, load class B 125 – Order data

- load class B 125 according to EN 124
- frame from concrete, SAKU cover from polyethylene
- clear opening Ø 600 mm
- cover odour proof sealed
- raising tube from polyethylene

*installation height can also be realized with item 3300.35.02

	NS 2	NS 2	NS 4	NS 4	NS 5.5	NS 5.5	NS 7	NS 8.5	NS 10	Weight	Article No.	
	ST 200	ST 400	ST 400	ST 800	ST 550	ST 1100	ST 700	ST 850	ST 1000			
											[kg]	[grey]
T [mm]	900-1010	900-1010	900-1010	920-1040	920-1040	920-1040	920-1040	920-1040	920-1040	920-1040	85	3300.35.11
	900-1460	900-1460	900-1460	920-1490	920-1490	920-1370	920-1490	920-1420	920-1150	920-1150	89	3300.35.12
	900-1980	890-1760	890-1760	920-1850	920-1850	920-1370*	920-1640	920-1420*	920-1150*	920-1150*	97	3300.35.13

Top section 600, load class D 400 – Order data

- load class D 400 according to EN 124
- frame from concrete, cover from cast iron
- clear opening Ø 600 mm
- cover odour proof sealed
- adapter plate from concrete Ø 1000 mm x 150 mm
- raising tube from polyethylene
- selectively with load distribution plate from concrete Ø 1500 mm x 200 mm

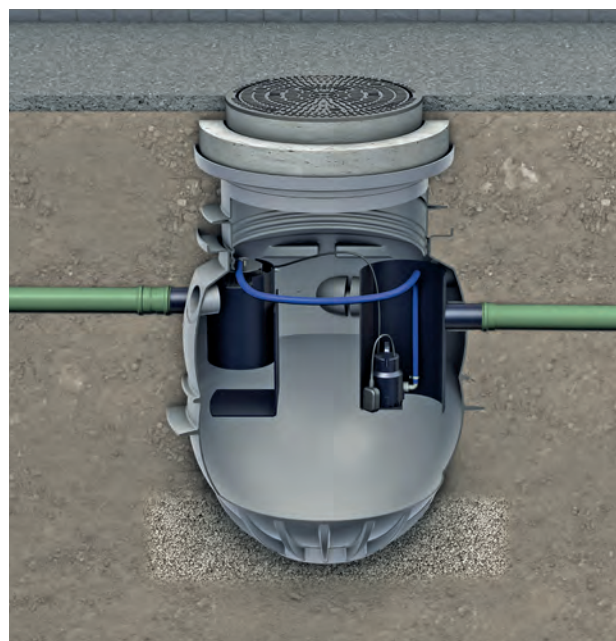
Load distribution plate	Raising tube length	NS 2	NS 2	NS 4	NS 4	NS 5.5	NS 5.5	NS 7	NS 8.5	NS 10	Weight	Article No.	
		ST 200	ST 400	ST 400	ST 800	ST 550	ST 1100	ST 700	ST 850	ST 1000			
												[kg]	[grey]
with	short	890-1010	890-1010	890-1010	920-1040	920-1040	920-1040	920-1040	920-1040	920-1040	850	3300.36.08	
with	medium	890-1460	890-1460	890-1460	920-1490	920-1490	920-1490	920-1490	920-1420	920-1150	864	3300.36.09	
with	long	890-1980	890-1760	890-1760	920-1850	920-1850	920-1370	920-1640	920-1420	920-1150	870	3300.36.10	
without	short	890-1010	890-1010	890-1010	920-1040	920-1040	920-1040	920-1040	920-1040	920-1040	130	3300.37.08	
without	medium	890-1460	890-1460	890-1460	920-1490	920-1490	920-1490	920-1490	920-1420	920-1150	144	3300.37.09	
without	long	890-1980	890-1760	890-1760	920-1850	920-1850	920-1370	920-1640	920-1420	920-1150	150	3300.37.10	

ACO Starch Separator Fapumax P-B – Basic Model

Product information

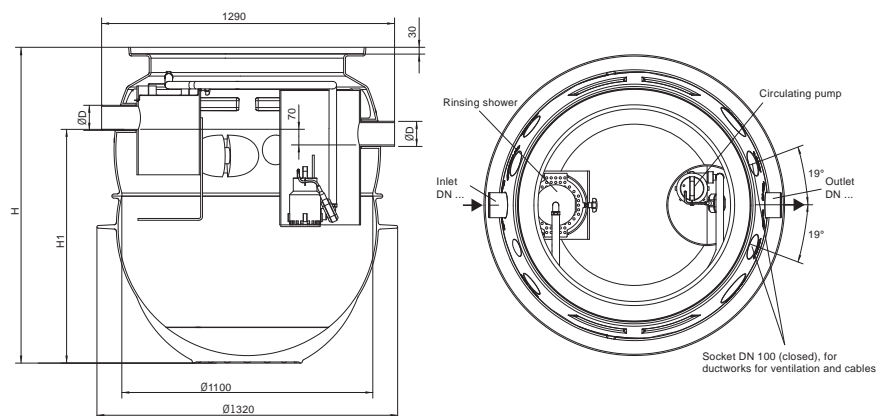
Starch separator of polyethylene for below ground installation

- inlet and outlet connection according to outside diameter D depending on nominal size of separator
- spray power head to rinse off the starch
- circular pump for operation of the spray shower
- control unit for operation of circular pump via potato peeling machine
- disposal and cleaning via cover



Installation example shows ACO Lipumax P-B NS 4 with a top section unit for load class B 125

Fapumax P-B – Order data



Accessories

- sampling pots and extension elements, page 18
- grease level sensor, page 19

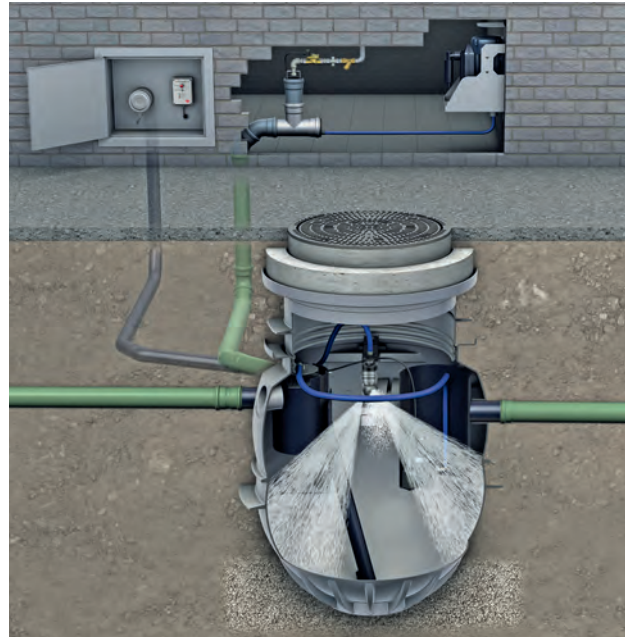
Nominal size	Nominal width	Total capacity	D	H	H1	H2	Weight	Article No.
NS 1	DN 100	720	110	1375	1015	945	65	3301.80.00
NS 2	DN 150	1465	160	2130	1745	1675	95	3302.80.00
NS 3	DN 150	2170	160	2830	2445	2375	127	3303.80.00

ACO Starch Separator Fapumax P-DA – Extension stage 3

Product information

Starch separator of polyethylene for below ground installation

- inlet and outlet connection according to outside diameter D depending on nominal size of separator
- spray power head to rinse off the starch
- circular pump for operation of the spray shower
- control unit for operation of circular pump via potato peeling machine
- disposal via direct suction line DN 65, PN 10, counter flange and Storz-75 B hose quick coupling and blind cover
- filling device 3/4" with solenoid valve to be installed inside a building with cold water supply
- high pressure internal cleaning
 - high-pressure pump with storage tank to be installed inside a building with cold water supply
 - automatic program controlled disposal via remote control
 - nominal pressure: 175 bar
 - flow rate: 13 litre/minute nominal pressure: 175 bar
 - electrical connection: 400 V/ 50 Hz/16 A/3,9 kW

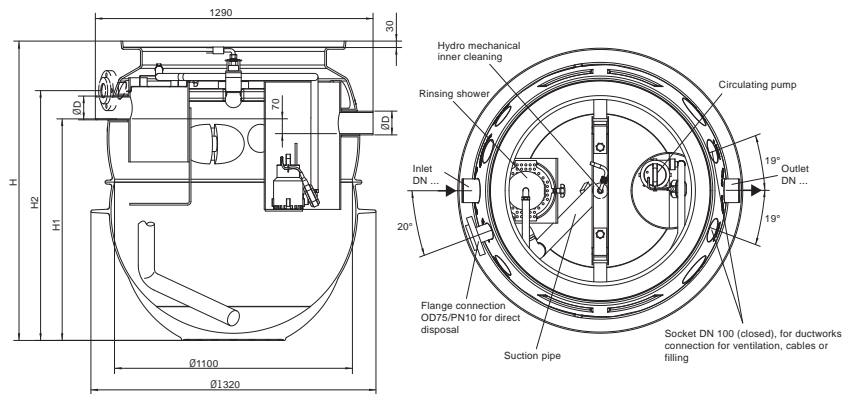


Installation example shows ACO Fapumax P-DA NS 1 with a top section for load class B 125

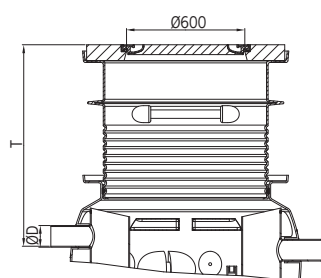
Fapumax P-DA – Order data

Accessories

- sampling pots and extension elements, page 18
- grease level sensor, page 19

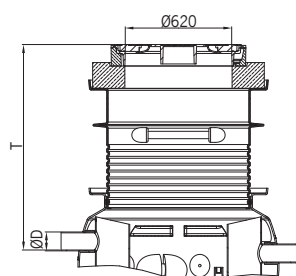


Nominal size	Nominal width	Total capacity	D	H	H1	H2	H3	Weight	Article No.
NS 1	DN 100	720	110	1375	1015	945	1147	125	3301.83.00
NS 2	DN 150	1465	160	2130	1745	1675	1899	155	3302.83.00
NS 3	DN 150	2170	160	2830	2445	2375	2598	187	3303.83.00

Top section 800, load class A 15 – Order data

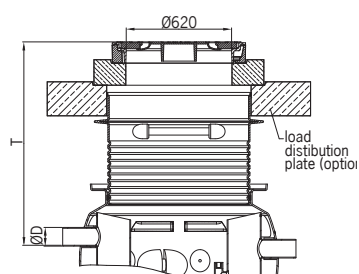
- load class A 15 according to EN 124
- frame from concrete, cover from cast iron
- clear opening \varnothing 600 mm
- cover odour proof sealed
- raising tube from polyethylene (only included with top section 3300.14.01 and 3300.14.02)

	NS 1	NS 2	NS 3	Weight	Article No.
				[kg]	[grey]
T [mm]	420	420	445	142	3300.14.00
	720–1020	720–1020	745–1045	170	3300.14.01
	720–1985	720–1855	745–1160	193	3300.14.02

Top section 800, load class B 125 – Order data

- load class B 125 according to EN 124
- frame from concrete, SAKU cover from polyethylene
- clear opening \varnothing 600 mm
- cover odour proof sealed
- adapter plate from concrete \varnothing 1000 mm x 150 mm
- raising tube from polyethylene (only included with top section 3300.15.01 and 3300.15.02)

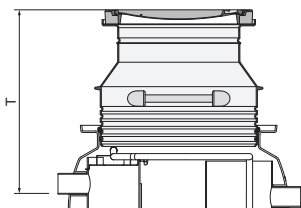
	NS 1	NS 2	NS 3	Weight	Article No.
				[kg]	[grey]
T [mm]	585	585	610	220	3300.15.00
	885–1195	885–1195	910–1220	307	3300.15.01
	885–1985	885–1855	910–1160	330	3300.15.02

Top section 800, load class D 400 – Order data

- load class D 400 according to EN 124
- frame from concrete, cover from cast iron
- clear opening \varnothing 600 mm
- cover odour proof sealed
- adapter plate from concrete \varnothing 1000 mm x 150 mm
- raising tube from polyethylene
- selectively with load distribution plate from concrete \varnothing 1500 mm x 200 mm

	NS 1	NS 2	NS 3	Weight	Article No.
				[kg]	[grey]
T [mm] without load distribution plate	865–1985	865–1855	890–1160	330	3300.17.00
T [mm] without load distribution plate	865–1985	865–1855	890–1160	1030	3300.16.00

Top section 600, load class A 15 – Order data

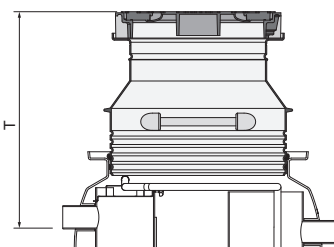


- load class A 15 according to EN 124
- frame from concrete, cover from cast iron
- clear opening Ø 600 mm
- cover loosely applied
- raising tube from polyethylene

*installation height can also be realized with item 3300.34.02

	NS 1	NS 2	NS 3	Weight	Article No.
				[kg]	[grey]
T [mm]	850-960	870-980	870-980	107	3300.34.11
	850-1410	870-1430	870-1150	111	3300.34.12
	840-1980	870-1850	870-1150*	119	3300.34.13

Top section 600, load class B 125 – Order data

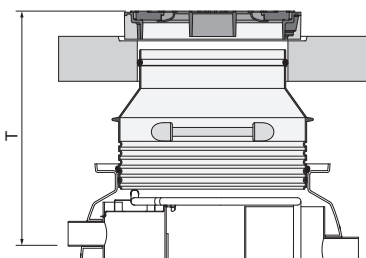


- load class B 125 according to EN 124
- frame from concrete, SAKU cover from polyethylene
- clear opening Ø 600 mm
- cover loosely applied
- raising tube from polyethylene

*installation height can also be realized with item 3300.35.02

	NS 1	NS 3	NS 3	Weight	Article No.
				[kg]	[grey]
T [mm]	900-1010	920-1040	920-1040	85	3300.35.11
	900-1460	920-1490	920-1150	89	3300.35.12
	890-1980	920-1850	920-1150*	97	3300.35.13

Top section 600, load class D 400 – Order data



- load class D 400 according to EN 124
- frame from concrete, cover from cast iron
- clear opening Ø 600 mm
- cover loosely applied
- raising tube from polyethylene
- selectively with load distribution plate from concrete
Ø 1500 mm x 200 mm

Load distribution plate	Raising tube length	NS 1	NS 2	NS 3	Weight	Article No.
					[kg]	[grey]
with	short	900-1010	920-1040	920-1040	850	3300.36.08
with	medium	890-1460	920-1480	920-1150	864	3300.36.09
with	long	890-1980	920-1850	920-1150	870	3300.36.10
without	short	890-1010	920-1040	920-1040	130	3300.37.08
without	medium	890-1460	920-1480	920-1150	144	3300.37.09
without	long	890-1980	920-1850	920-1150	150	3300.37.10

ACO Light Liquid Separator P-SD with integrated top section



- For selected Nominal Sizes of light liquid separators
- With integrated raising tube
- Load classes A, B or D
- No buoyancy protection needed if inlet invert does not exceed 800 mm



ACO Light Liquid Separator Oleopator P-SD

Product information

Light liquid separator of polyethylene for below ground installation

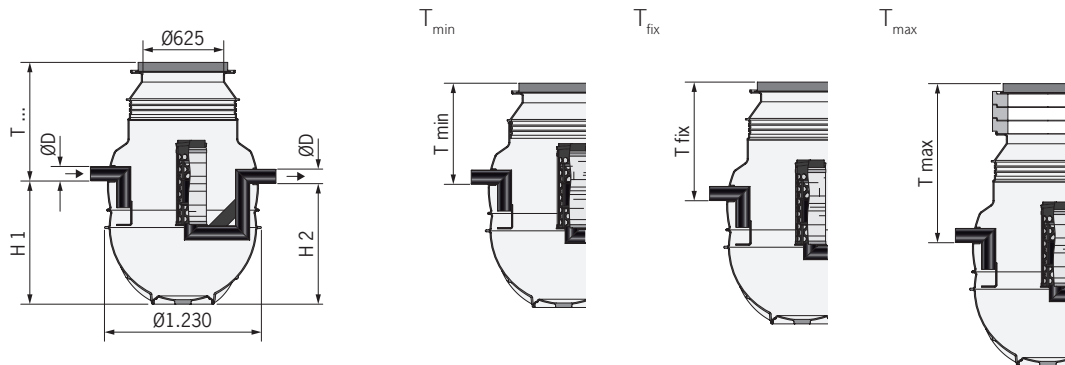
- according to EN 858
- type test report
 - 7310434-01 (NS 3)
 - 7310434-02 (NS 6)
 - 7310434-03 (NS 8)
 - 7310434-03 (NS 10)
- inlet and outlet connection according to outside diameter D depending on Nominal Size of separator
- inlet and outlet parts of polyethylene
- with integrated removable coalescing filter
- automatic closure device with float switch, density of float switch: 0.9 g/cm³
- disposal and cleaning via cover
- with integrally formed raising tube for varying inlet heights
- optionally upgradable with concrete supporting rings 60, 80 and 100 mm up to inlet invert Tmax



Installation example shows ACO Oleopator P-SD NS 3 for load class B125

Note: Cover (accessory) is not included

Oleopator P-SD – Order data



Nominal size	Nominal width	Volume sludge trap [l]	Volume oil storage [l]	Total capacity [l]	D [mm]	H1 [mm]	H2 [mm]	Class A/B			Weight [kg]	Article No. [grey]
								Tmin* ¹ [mm]	Tfix* ² [mm]	Tmax [mm]		
NS 3/300	DN 100	381	240	731	110	966	946	841	970	1370	68	3903.40.00
NS 3/600	DN 100	661	240	1009	110	1236	1216	841	970	1370	79	3913.40.00
NS 3/900	DN 100	927	240	1272	110	1450	1430	841	970	1370	84	3923.40.00
NS 6/600	DN 150	702	235	1036	160	1261	1241	810	950	1340	86	3906.40.00
NS 6/1200	DN 150	1180	235	1529	160	1743	1723	810	950	1260	101	3916.40.00
NS 8/800	DN 150	780	260	1246	160	1473	1453	810	950	1340	96	3908.40.00
NS 10/1000	DN 150	1057	260	1529	160	1743	1723	810	950	1260	105	3910.40.00

*¹ load class D does not have Tmin

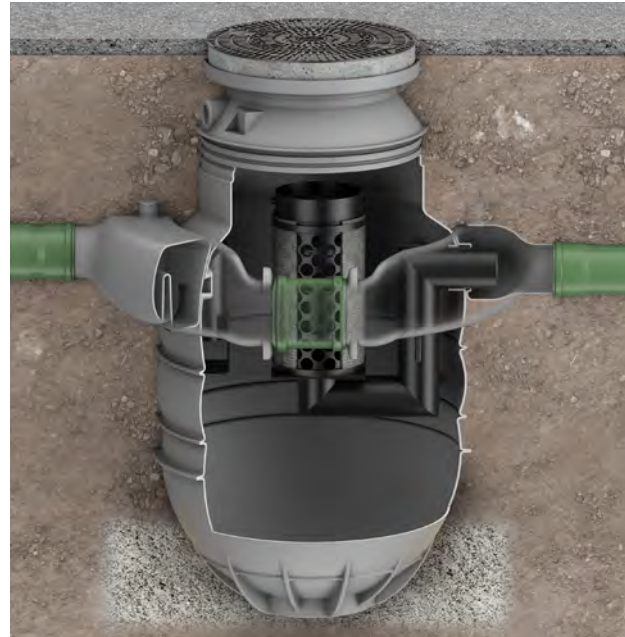
*² load class A15 and B125 only, for load class D, 270 mm have to be added

ACO Light Liquid Separator Oleopass P-SD

Product information

Light liquid separator of polyethylene for below ground installation

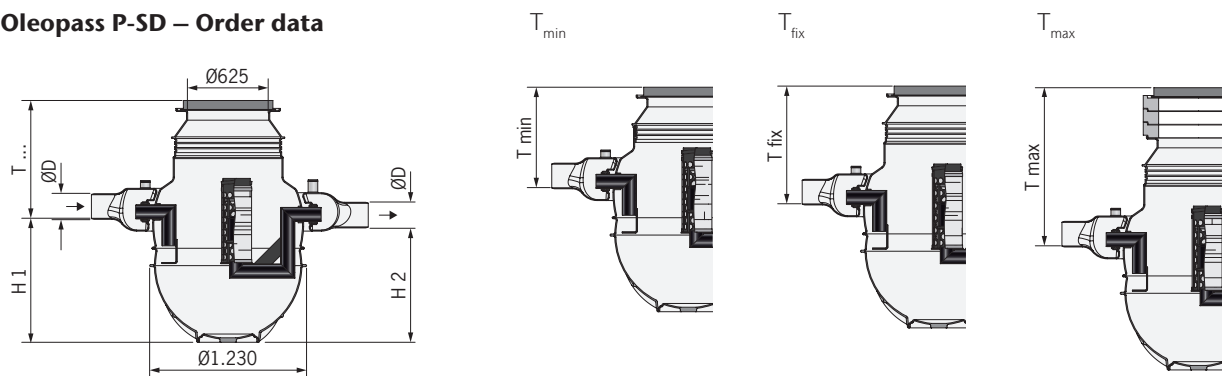
- according to EN 858
- type test report
 - 7310434-01 (NS 3)
 - 7310434-02 (NS 6)
 - 7310434-03 (NS 8)
 - 7310434-03 (NS 10)
- inlet and outlet connection according to outside diameter D depending on Nominal Size of separator
- inlet and outlet parts of polyethylene
- with integrated removable coalescing filter
- automatic closure device with float switch, density of float switch: 0.9 g/cm^3
- with bypass of polyethylene
- disposal and cleaning via cover
- with integrally formed raising tube for varying inlet heights
- optionally upgradable with concrete supporting rings 60, 80 and 100 mm up to inlet invert T_{max}



Installation example shows ACO Oleopass P-SD NS3 for load class B125

Note: Cover (accessory) is not included

Oleopass P-SD – Order data



25

Nominal size	Total flow rate [l/s]	Nominal width DN	Volume sludge trap [l]	Volume oil storage [l]	Total capacity [l]	D [mm]	H1 [mm]	H2 [mm]	Class A/B			Weight [kg]	Article No. [grey]
									T _{min} *1 [mm]	T _{fix} *2 [mm]	T _{max} [mm]		
NS 3/300	15	DN 200	381	240	731	200	966	900	841	970	1370	93	3903.41.00
NS 3/600	15	DN 200	661	240	1009	200	1236	1170	841	970	1370	104	3913.41.00
NS 3/900	30	DN 200	927	240	1272	200	1450	1385	841	970	1370	109	3923.41.00
NS 6/600	30	DN 250	702	235	1036	250	1261	1195	810	950	1340	123	3906.41.00
NS 6/1200	30	DN 250	1180	235	1529	250	1743	1680	810	950	1260	128	3916.41.00
NS 8/800	50	DN 250	780	260	1246	250	1473	1410	810	950	1340	124	3908.41.00
NS 10/1000	50	DN 250	1057	260	1529	250	1743	1680	810	950	1260	133	3910.41.00

*1 load class D does not have T_{min}

*2 load class A15 and B125 only, for load class D, 270 mm have to be added

ACO Light Liquid Separator P with separated top section



- For selected Nominal Sizes of light oil separators
- With integrated raising tube
- Load classes A/B or D
- No buoyancy protection needed for load class A/B when inlet invert does not exceed 500 mm
- No buoyancy protection needed for load class D

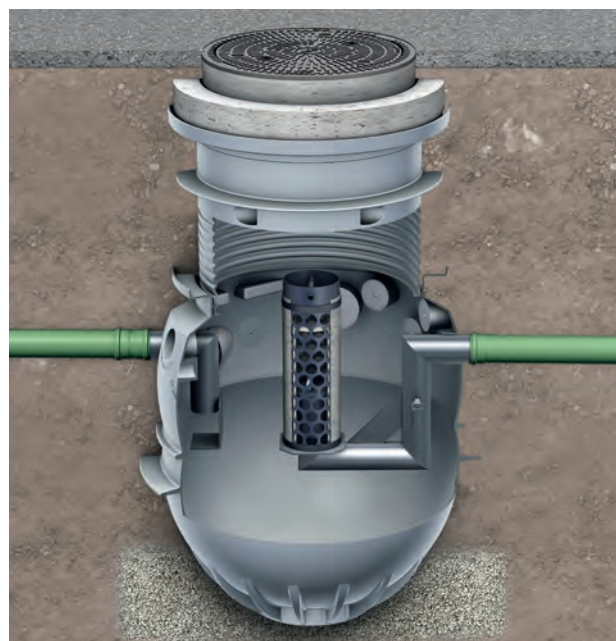


ACO Light Liquid Separator Oleopator P – Class I

Product information

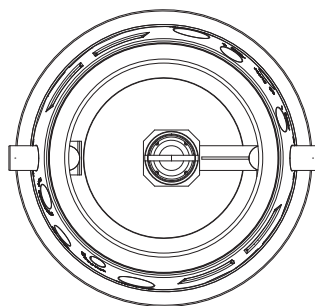
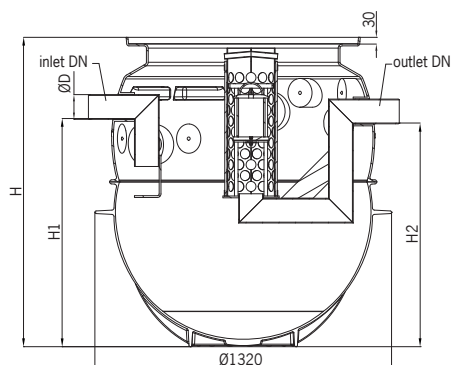
Light liquid separator of polyethylene for below ground installation

- according to EN 858
- certificate
 - 7310434-01 (NS 3)
 - 7310434-02 (NS 6)
 - 7310434-03 (NS 8)
 - 7310434-03 (NS 10)
- inlet and outlet connection according to outside diameter D depending on nominal size of separator
- inlet and outlet parts of polyethylene
- with integrated removable coalescing filter
- automatic closure device with float switch, density of float switch: 0.9 g/cm³



Installation example shows ACO Oleopator P NS 3 with a top section unit for load class B 125

Oleopator P – Order data



Accessories

- sampling pots and extension elements, page 28
- alarm device, page 29

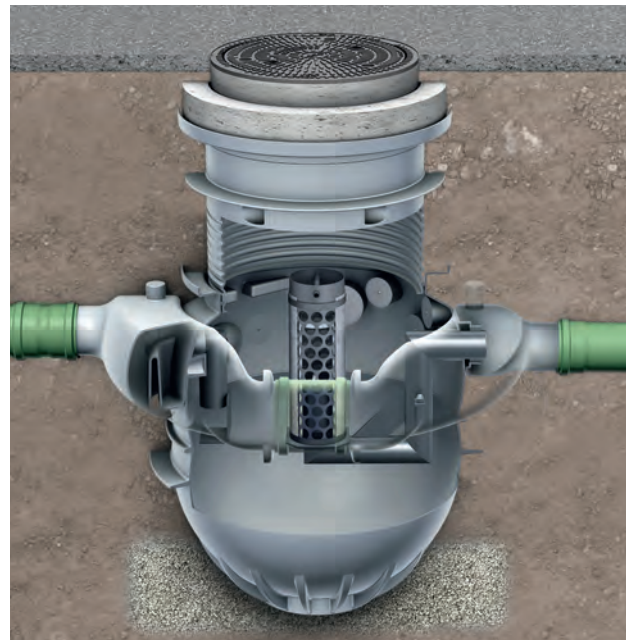
Nominal size	Nominal width	Volume sludge trap	Volume oil storage	Total capacity	D	H	H1	H2	Weight	Article No.
		[l]	[l]	[l]	[mm]	[mm]	[mm]	[mm]	[kg]	[grey]
NS 3	DN 100	450	240	775	110	1377	1020	1000	67	3903.80.00
NS 3	DN 100	670	240	995	110	1594	1230	1210	83	3913.80.00
NS 3	DN 100	950	240	1280	110	1865	1500	1480	84	3923.80.00
NS 6	DN 150	660	235	970	160	1594	1210	1190	91	3906.80.00
NS 6	DN 150	1210	235	1525	160	2129	1740	1720	101	3916.80.00
NS 8	DN 150	820	260	1250	160	1865	1480	1460	94	3908.80.00
NS 10	DN 150	1080	260	1615	160	2129	1740	1720	105	3910.80.00

ACO Light Liquid Separator Oleopass P – Class I with bypass

Product information

Light liquid separator of polyethylene for below ground installation

- according to EN 858
- certificate
 - 7310434-01 (NS 3)
 - 7310434-02 (NS 6)
 - 7310434-03 (NS 8)
 - 7310434-03 (NS 10)
- inlet and outlet connection according to outside diameter D depending on nominal size of separator
- inlet and outlet parts of polyethylene
- with integrated removable coalescing filter
- automatic closure device with float switch, density of float switch: 0.9 g/cm³
- with bypass of polyethylene

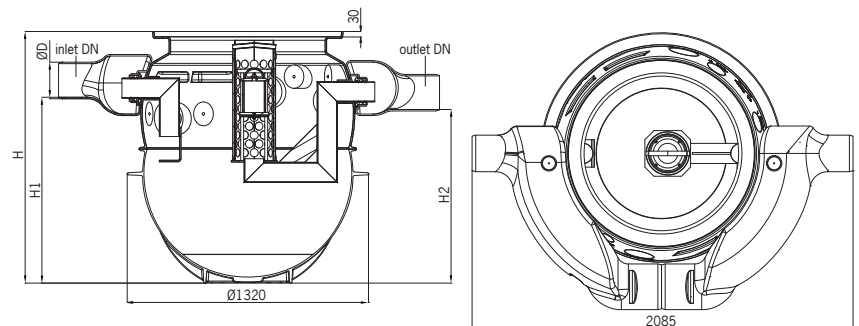


Installation example shows ACO Oleopass P NS 3 with a top section unit for load class B 125 for load class B 125

Oleopass P – Order data

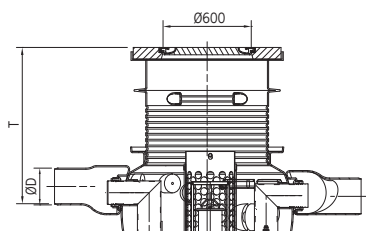
Accessories

- sampling pots and extension elements, page 28
- alarm device, page 29



Nominal size	Nominal width	Total flow rate	Volume sludge trap	Volume oil storage	Total capacity	D	H	H1	H2	Weight	Article No.
		[l/s]	[l]	[l]	[l]	[mm]	[mm]	[mm]	[mm]	[kg]	[grey]
NS 3	DN 200	15	450	240	775	200	1377	1020	950	90	3903.81.00
NS 3	DN 200	15	670	240	995	200	1594	1230	1160	106	3913.81.00
NS 3	DN 200	15	950	240	1280	200	1865	1500	1430	107	3923.81.00
NS 6	DN 250	30	660	235	970	250	1594	1210	1140	114	3906.81.00
NS 6	DN 250	30	1210	235	1525	250	2129	1740	1670	124	3916.81.00
NS 8	DN 250	50	820	260	1250	250	1865	1480	1400	104	3908.81.00
NS 10	DN 250	50	1080	260	1615	250	2129	1740	1670	130	3910.81.00

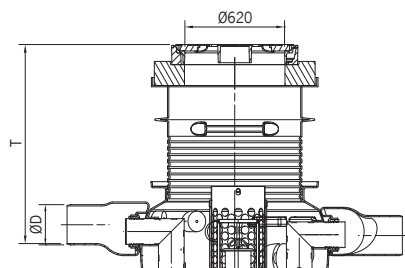
Top section 800, load class A 15 – Order data



- load class A 15 according to EN 124
- frame from concrete, cover from cast iron
- clear opening Ø 600 mm
- cover loosely applied
- raising tube from polyethylene (only included with top section 3301.14.01 and 3301.14.02)

	NS 3 ST 300	NS 3 ST 600	NS 3 ST 900	NS 6 ST 600	NS 6 ST 1200	NS 8 ST 800	NS 10 ST 1000	Weight	Article No.
								[kg]	[grey]
T	420	420	420	440	440	440	440	145	3301.14.00
T [mm]	730–1030	730–1020	730–1020	750–1050	750–1050	750–1050	750–1050	170	3301.14.01
	730–1990	730–1780	730–1510	750–1800	750–1870	750–1530	750–1870	193	3301.14.02

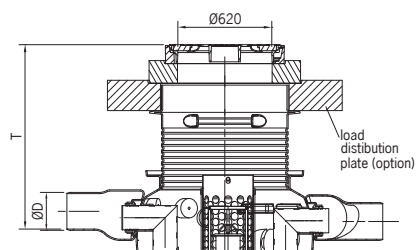
Top section 800, load class B 125 – Order data



- load class B 125 according to EN 124
- frame from concrete, SAKU cover from polyethylene
- clear opening Ø 600 mm
- cover loosely applied
- adapter plate from concrete Ø 1000 mm x 150 mm
- raising tube from polyethylene (only included with top section 3301.15.01 and 3301.15.02)

	NS 3 ST 300	NS 3 ST 600	NS 3 ST 900	NS 6 ST 600	NS 6 ST 1200	NS 8 ST 800	NS 10 ST 1000	Weight	Article No.
								[kg]	[grey]
T	585	585	585	605	605	605	605	237	3301.15.00
T [mm]	885–1185	885–1185	885–1185	905–1205	905–1205	905–1220	905–1205	262	3301.15.01
	885–1980	885–1770	885–1500	905–1790	905–1860	905–1530	905–1860	285	3301.15.02

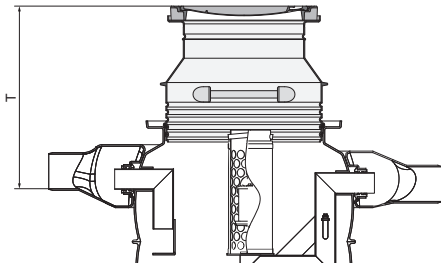
Top section 800, load class D 400 – Order data



- load class D 400 according to EN 124
- frame from concrete, cover from cast iron
- clear opening Ø 600 mm
- cover loosely applied
- adapter plate from concrete Ø 1000 mm x 150 mm
- raising tube from polyethylene
- selectively with load distribution plate from concrete Ø 1500 mm x 200 mm

	NS 3 ST 300	NS 3 ST 600	NS 3 ST 900	NS 6 ST 600	NS 6 ST 1200	NS 8 ST 800	NS 10 ST 1000	Weight	Article No.
								[kg]	[grey]
T [mm] without load distribution plate	865–1980	865–1770	865–1500	890–1790	890–1860	890–1530	890–1860	285	3301.17.00
T [mm] without load distribution plate	865–1980	865–1770	865–1500	890–1790	890–1860	890–1530	890–1860	985	3301.16.00

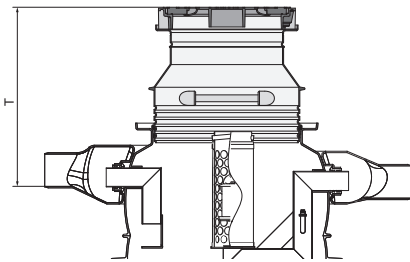
Top section 600, load class A 15 – Order data



- load class A 15 according to EN 124
- frame from concrete, cover from cast iron
- clear opening Ø 600 mm
- cover loosely applied
- raising tube from polyethylene

	NS 3	NS 3	NS 3	NS 6	NS 6	NS 8	NS 10	Weight	Article No.
	ST 300	ST 600	ST 900	ST 600	ST 550	ST 800	ST 1000		
								[kg]	[grey]
T [mm]	850-960	850-960	850-960	870-990	870-990	870-990	870-990	96	3301.34.11
	850-1410	850-1410	850-1410	870-1440	870-1440	870-1440	870-1440	104	3301.34.12
	840-1980	850-1770	850-1500	870-1790	870-1860	870-1520	870-1860	115	3301.34.13

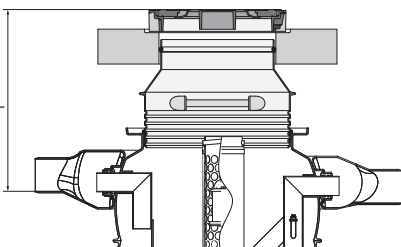
Top section 600, load class B 125 – Order data



- load class B 125 according to EN 124
- frame from concrete, SAKU cover from polyethylene
- clear opening Ø 600 mm
- cover loosely applied
- raising tube from polyethylene

	NS 3	NS 3	NS 3	NS 6	NS 6	NS 8	NS 10	Weight	Article No.
	ST 300	ST 600	ST 900	ST 600	ST 1200	ST 800	ST 1000		
								[kg]	[grey]
T [mm]	900-1010	900-1010	900-1010	920-1040	920-1040	920-1040	920-1040	84	3301.35.11
	900-1460	900-1460	900-1460	920-1490	920-1490	920-1490	920-1490	92	3301.35.12
	890-1980	900-1770	900-1500	920-1790	920-1860	920-1520	920-1860	103	3301.35.13

Top section 600, load class D 400 – Order data



- load class D 400 according to EN 124
- frame from concrete, cover from cast iron
- clear opening Ø 600 mm
- cover loosely applied
- raising tube from polyethylene
- selectively with load distribution plate from concrete
Ø 1500 mm x 200 mm

Load distribution plate	Raising tube length	NS 3	NS 3	NS 3	NS 6	NS 6	NS 8	NS 10	Weight	Article No.
		ST 300	ST 600	ST 900	ST 600	ST 1200	ST 800	ST 1000		
									[kg]	[grey]
with	short	890-1010	890-1020	890-1020	910-1040	910-1040	910-1040	910-1040	814	3301.36.08
with	medium	890-1460	890-1470	890-1470	910-1490	910-1490	910-1490	910-1490	822	3301.36.09
with	long	890-1980	890-1770	890-1500	910-2090	910-1860	910-1520	910-1860	834	3301.36.10
without	short	890-1010	890-1020	890-1020	910-1040	910-1040	910-1040	910-1040	85	3301.37.08
without	medium	890-1460	890-1470	890-1470	910-1490	910-1490	910-1490	910-1490	93	3301.37.09
without	long	890-1980	890-1770	890-1500	910-2090	910-1860	910-1520	910-1860	105	3301.37.10

ACO Sludge Traps P-SD with integrated top section



- For selected Nominal Sizes of sludge traps
- With integrated raising tube
- Load classes A, B or D
- No buoyancy protection needed if inlet invert does not exceed 800 mm



ACO Sludge Trap P-SD

Product information

Sludge trap of polyethylene for below ground installation

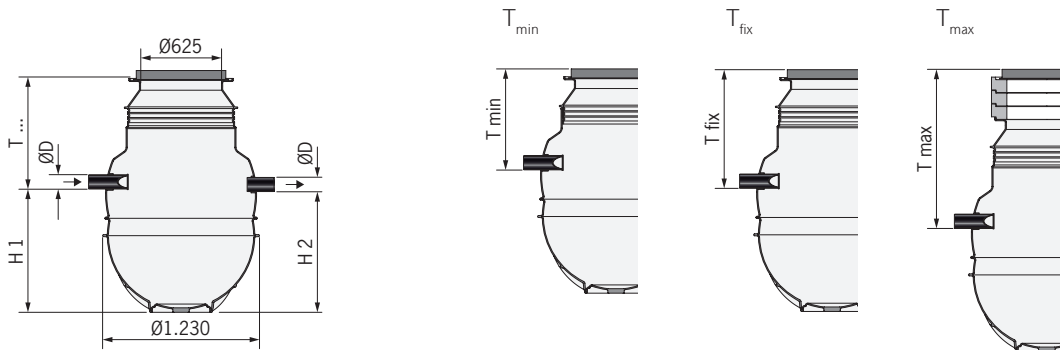
- inlet and outlet connection depending on size of sludge trap
- inlet and outlet parts of polyethylene
- different volumes/capacities available
- disposal and cleaning via cover
- with integrally formed raising tube for varying inlet heights
- optionally upgradable with concrete supporting rings 60, 80 and 100 mm up to inlet invert Tmax

Note: Cover (accessory) is not included



Installation example shows ACO Sludge Trap P-SD for load class B125

Sludge Traps P-SD – Order data



Nominal size	Nominal width	Total capacity	D	H1	H2	Class A/B			Weight	Article No.
						Tmin* ¹	Tfix* ²	Tmax		
		[l]	[mm]	[mm]	[mm]	[mm]	[mm]	[mm]	[kg]	[grey]
P 750	DN 100	731	110	966	946	851	980	1353	68	3900.40.11
P 1000	DN 150	1036	160	1261	1241	826	955	1328	71	3900.40.02
P 1000	DN 100	1009	110	1236	1216	851	980	1353	70	3900.40.12
P 1250	DN 150	1246	160	1473	1453	826	955	1328	77	3900.40.03
P 1250	DN 100	1272	110	1498	1478	851	980	1353	76	3900.40.13
P 1500	DN 150	1529	160	1743	1723	826	955	1257	86	3900.40.04

*¹ load class D does not have Tmin

*² load class A15 and B125 only, for load class D, 270 mm have to be added

ACO Sludge Traps P with separated top section



- For selected Nominal Sizes of sludge traps
- With integrated raising tube
- Load classes A/B or D
- No buoyancy protection needed for load class A/B when inlet invert does not exceed 500 mm
- No buoyancy protection needed for load class D

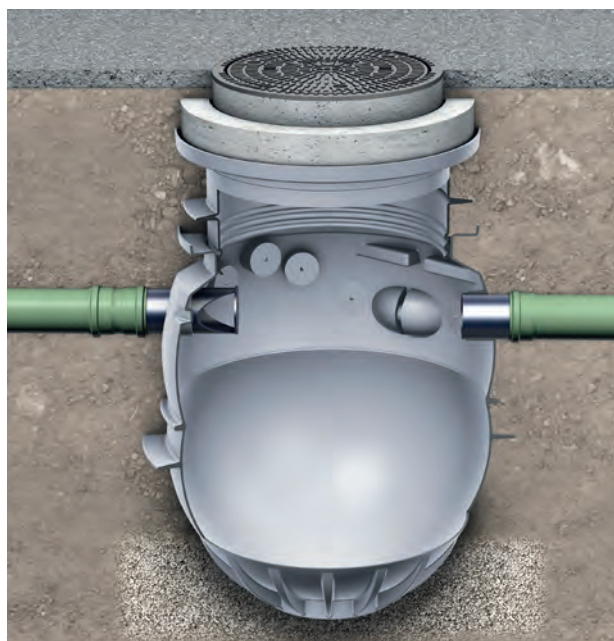


ACO Sludge Trap P

Product information

Sludge trap of polyethylene for below ground installation

- inlet and outlet connection according to outside diameter D depending on nominal size of separator
- inlet and outlet parts of polyethylene
- different volumes/capacities available

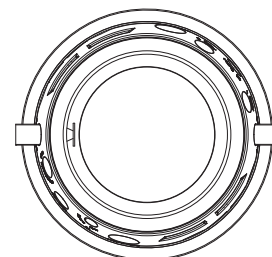
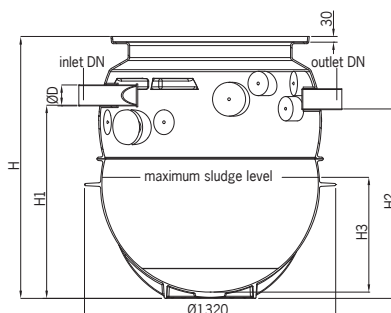


Installation example shows ACO Sludge Trap P 750 with a top section unit for load class B 125

Sludge Trap P – Order data

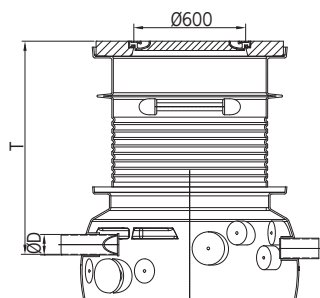
Accessories

- sampling pots and extension elements, page 28
- alarm device, page 29



Type	Nominal width	Total capacity	D	H	H1	H2	H3	Weight	Article No.
									[l]
P 750	DN 150	750	160	1377	990	970	540	59	3900.00.01
P 750	DN 100	780	110	1377	1020	1000	560	59	3900.00.11
P 1000	DN 150	975	160	1594	1210	1190	680	75	3900.00.02
P 1000	DN 100	1000	110	1594	1230	1210	700	74	3900.00.12
P 1250	DN 150	1255	160	1865	1480	1460	830	75	3900.00.03
P 1250	DN 100	1280	110	1865	1500	1480	850	74	3900.00.13
P 1500	DN150	1530	160	2129	1740	1720	930	85	3900.00.04
P 1500	DN 100	1550	110	2129	1770	1750	950	84	3900.00.14

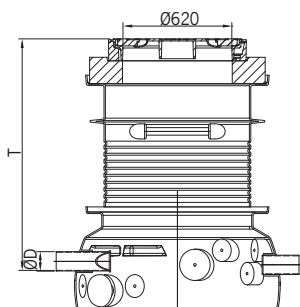
Top section 800, load class A 15 – Order data



- load class A 15 according to EN 124
- frame from concrete, cover from cast iron
- clear opening Ø 600 mm
- cover loosely applied
- raising tube from polyethylene (only included with top section 3301.14.01 and 3301.14.02)

	P 750 DN 100	P 750 DN 150	P 1000 DN 100	P 1000 DN 150	P 1250 DN 100	P 1250 DN 150	P 1500 DN 100	P 1500 DN 150	Weight	Article No.
									[kg]	[grey]
T	450	420	440	420	440	420	440	410	145	3301.14.00
T [mm]	760-1060	730-1030	750-1050	730-1030	750-1050	730-1030	750-1050	720-1020	170	3301.14.01
	760-2020	730-1990	750-1790	730-1780	750-1530	730-1510	750-1870	720-1040	193	3301.14.02

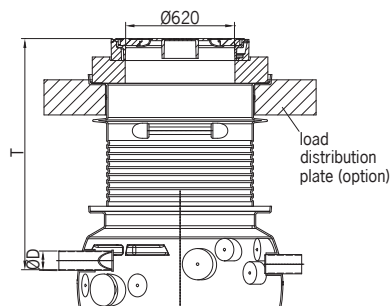
Top section 800, load class B 125 – Order data



- load class B 125 according to EN 124
- frame from concrete, SAKU cover from polyethylene
- clear opening Ø 600 mm
- cover loosely applied
- adapter plate from concrete Ø 1000 mm x 150 mm
- raising tube from polyethylene (only included with top section 3301.15.01 and 3301.15.02)

	P 750 DN 100	P 750 DN 150	P 1000 DN 100	P 1000 DN 150	P 1250 DN 100	P 1250 DN 150	P 1500 DN 100	P 1500 DN 150	Weight	Article No.
									[kg]	[grey]
T	615	585	605	585	605	585	605	575	282	3301.15.00
T [mm]	915-1215	885-1185	905-1205	885-1185	905-1205	885-1185	905-1205	875-1175	307	3301.15.01
	915-2010	885-1980	905-1790	885-1770	905-1520	885-1500	905-1860	875-1830	330	3301.15.02

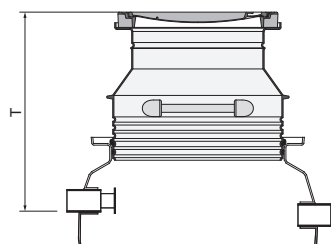
Top section 800, load class D 400 – Order data



- load class D 400 according to EN 124
- frame from concrete, cover from cast iron
- clear opening Ø 600 mm
- cover loosely applied
- adapter plate from concrete Ø 1000 mm x 150 mm
- raising tube from polyethylene
- selectively with load distribution plate from concrete Ø 1500 mm x 200 mm

	P 750 DN 100	P 750 DN 150	P 1000 DN 100	P 1000 DN 150	P 1250 DN 100	P 1250 DN 150	P 1500 DN 100	P 1500 DN 150	Weight	Article No.
									[kg]	[grey]
T [mm] without load distribution plate	895-2010	865-1980	885-1790	865-1770	885-1520	865-1500	885-1860	885-1830	330	3301.17.00
T [mm] without load distribution plate	895-2010	865-1980	885-1790	865-1770	885-1520	865-1500	885-1860	885-1830	1030	3301.16.00

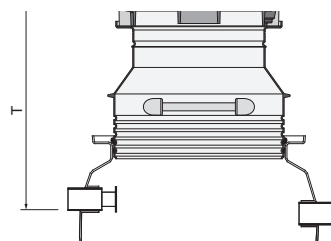
Top section 600, load class A 15 – Order data



- load class A 15 according to EN 124
- frame from concrete, cover from cast iron
- clear opening Ø 600 mm
- cover loosely applied
- raising tube from polyethylene

	P 750 DN 100	P 750 DN 150	P 1000 DN 100	P 1000 DN 150	P 1250 DN 100	P 1250 DN 150	P 1500 DN 100	P 1500 DN 150	Weight	Article No.
									[kg]	[grey]
T [mm]	870-990	840-960	870-990	850-970	870-990	850-970	870-980	860-980	96	3301.34.11
	870-1440	850-1410	870-1440	850-1410	870-1440	870-1080	860-1440	860-1080	104	3301.34.12
	870-2010	840-1980	870-1770	870-1770	870-1500	870-1500	860-1850	880-1850	115	3301.34.13

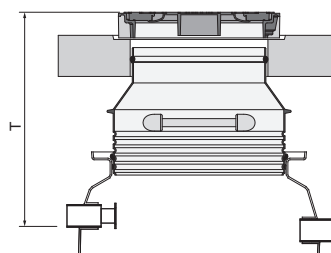
Top section 600, load class B 125 – Order data



- load class B 125 according to EN 124
- frame from concrete, SAKU cover from polyethylene
- clear opening Ø 600 mm
- cover loosely applied
- adapter plate from concrete Ø 1000 mm x 150 mm
- raising tube from polyethylene

	P 750 DN 100	P 750 DN 150	P 1000 DN 100	P 1000 DN 150	P 1250 DN 100	P 1250 DN 150	P 1500 DN 100	P 1500 DN 150	Weight	Article No.
									[kg]	[grey]
T [mm]	920-1040	890-1010	920-1040	910-1020	920-1040	910-1020	920-1040	910-1020	84	3301.35.11
	920-1490	890-1460	920-1490	900-1470	920-1490	900-1470	920-1490	910-1470	92	3301.35.12
	920-2010	890-1980	920-1770	920-1770	920-1550	910-1470	920-1850	910-1850	103	3301.35.13








Top section 600, load class D 400 – Order data



- load class D 400 according to EN 124
- frame from concrete, cover from cast iron
- clear opening Ø 600 mm
- cover loosely applied
- raising tube from polyethylene
- selectively with load distribution plate from concrete Ø 1500 mm x 200 mm




Load distribution plate	Raising tube length	P 750 DN 100	P 750 DN 150	P 1000 DN 100	P 1000 DN 150	P 1250 DN 100	P 1250 DN 150	P 1500 DN 100	P 1500 DN 150	Weight	Article No.
										[kg]	[grey]
with	short	920-1040	880-1010	920-1040	900-1020	920-1040	890-1020	920-1040	910-1030	814	3301.36.08
with	medium	920-1490	880-1460	920-1490	900-1470	920-1490	890-1470	920-1490	910-1480	822	3301.36.09
with	long	920-2010	880-1980	920-1790	900-1770	920-1550	890-1500	920-1860	910-1850	834	3301.36.10
without	short	920-1040	880-1010	920-1040	900-1020	920-1040	890-1020	920-1040	910-1030	85	3301.37.08
without	medium	920-1490	880-1460	920-1490	900-1470	920-1490	890-1470	920-1490	910-1480	93	3301.37.09
without	long	920-2010	880-1980	920-1790	900-1770	920-1550	890-1500	920-1860	910-1850	105	3301.37.10







Accessories

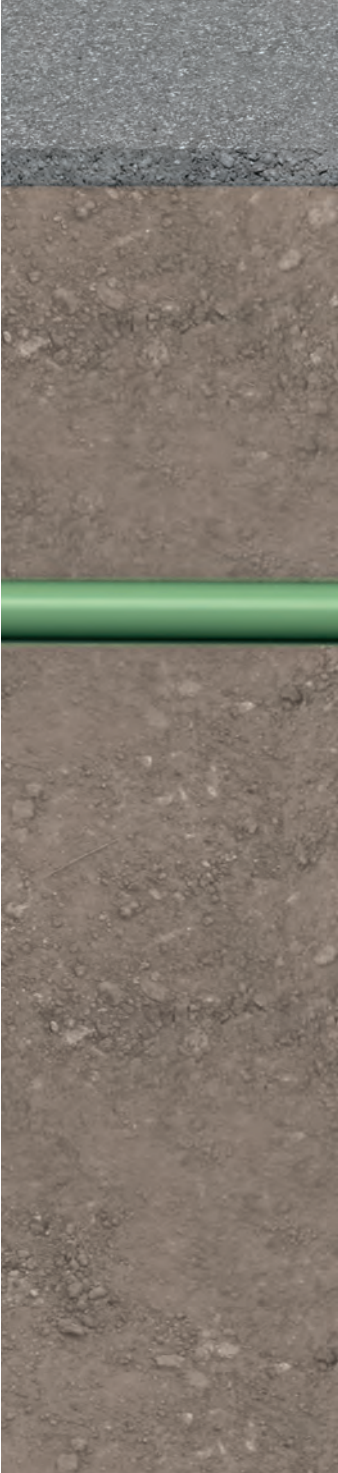
	Product description	suitable for	Model	Article No.
	<ul style="list-style-type: none"> ■ Cover load class A according to EN 124 ■ P-SD series ■ Cover from concrete, frame from cast iron, odour-proof, unlocked 	<ul style="list-style-type: none"> ■ Lipumax P-SD 	–	0155.26.36
	<ul style="list-style-type: none"> ■ Cover load class B according to EN 124 ■ P-SD series ■ Cover and frame from concrete and cast iron, odour-proof, locked 	<ul style="list-style-type: none"> ■ Lipumax P-SD 	–	0150.72.72 (Haustechnik) 701739 (Tabor)
	<ul style="list-style-type: none"> ■ Cover load class D according to EN 124 ■ P-SD series ■ Cover from cast iron, odour-proof, locked 	<ul style="list-style-type: none"> ■ Lipumax-P-SD 	–	0150.69.52
	<ul style="list-style-type: none"> ■ Cover load class A according to EN 124 ■ P-SD series ■ Cover from concrete, frame from cast iron, unlocked 	<ul style="list-style-type: none"> ■ Oleopator/Oleopass P-SD ■ Sludge Trap P-SD 	–	0150.65.36
	<ul style="list-style-type: none"> ■ Cover load class B according to EN 124 ■ P-SD series ■ Cover and frame from concrete and cast iron, unlocked 	<ul style="list-style-type: none"> ■ Oleopator/Oleopass P-SD ■ Sludge Trap P-SD 	–	0150.72.71 (Haustechnik) 701740 (Tabor)
	<ul style="list-style-type: none"> ■ Cover load class D according to EN 124 ■ P-SD series ■ Cover from cast iron, unlocked 	<ul style="list-style-type: none"> ■ Oleopator/Oleopass-P-SD ■ Sludge Trap P-SD 	–	0150.69.51
	<ul style="list-style-type: none"> ■ Concrete supporting rings for increasing inlet invert with separators of all types 	<ul style="list-style-type: none"> ■ All variations 	ARV 625 x 60	8700.20.00 (Haustechnik) 742011 (Tabor)
			ARV 625 x 80	8700.20.10 (Haustechnik) 742012 (Tabor)
			ARV 625 x 100	8700.20.20 (Haustechnik) 742013 (Tabor)

	Product description	suitable for	Model	Article No.
	<ul style="list-style-type: none"> ■ Sampling equipment for grease separators/light liquid separators/starch separators for below ground installation. Sampling equipment consisting of manual pump and suction coupling, connecting hose and suction coupling and bolt connection ■ Suitable for inlet invert maximum T = 3,000 mm 	<ul style="list-style-type: none"> ■ All variations 	<p>—</p>	<p>8800.00.10 (Haustechnik) 701246 (Tabor)</p>
	<ul style="list-style-type: none"> ■ Combination ring between shaft and rasing tube 	<ul style="list-style-type: none"> ■ Lipumax P-SD ■ Oleopator/Oleopass P-SD ■ Sludge Trap P-SD 	<p>—</p>	<p>0150.72.63</p>
	<ul style="list-style-type: none"> ■ Flat seal between cover and separator 	<ul style="list-style-type: none"> ■ Oleopator/Oleopass P-SD (optional) ■ Sludge Trap P-SD (optional) ■ Tip: Lipumax P-SD inclusive 	<p>—</p>	<p>0150.66.83</p>
	<ul style="list-style-type: none"> ■ Adapter ring from plastic for load class D 	<ul style="list-style-type: none"> ■ Lipumax-P-SD ■ Oleopator/Oleopass-P-SD series ■ Sludge Trap P-SD 	<p>—</p>	<p>0150.73.62 (Haustechnik) 418879 (Tabor)</p>
	<ul style="list-style-type: none"> ■ Load distribution plate from concrete for load class D 	<ul style="list-style-type: none"> ■ Lipumax-P-SD ■ Oleopator/Oleopass-P-SD series ■ Sludge Trap P-SD 	<p>—</p>	<p>0178.07.67 (Haustechnik) M01456 (Tabor)</p>

	Product description	suitable for	Model	Article No.
	<ul style="list-style-type: none"> ■ Sampling shaft ■ From polyethylene, diameter 450 mm ■ For below ground installations, downstream grease separators/starch separators ■ With cast iron/concrete cover for load class B 125 ■ Odour proof 	<ul style="list-style-type: none"> ■ All variations 	DN 100, with 160 mm gradient	3300.13.10
			DN 100, with 30 mm gradient	3300.13.11
			DN 150, with 160 mm gradient	3300.13.20
			DN 150, with 75 mm gradient	3300.13.21
	<ul style="list-style-type: none"> ■ Sampling shaft ■ with load distribution plate ■ From polyethylene, diameter 450 mm ■ For below ground installations, downstream grease separators/starch separators ■ With cast iron/concrete cover for load class D 400 ■ Odour proof 	<ul style="list-style-type: none"> ■ All variations 	DN 100, with 160 mm gradient	3300.13.15
			DN 100, with 30 mm gradient	3300.13.16
			DN 150, with 160 mm gradient	3300.13.25
			DN 150, with 75 mm gradient	3300.13.26
	<ul style="list-style-type: none"> ■ Extension element ■ From polyethylene ■ For install aforementioned sampling shaft at a deeper position ■ Extension height 100 to 650 mm ■ Can be shortened at 45 mm intervals by cutting at the cutting marks 	<ul style="list-style-type: none"> ■ All variations 	—	3300.13.00
	<ul style="list-style-type: none"> ■ Disposal shaft ■ Made from plastic ■ Material polyethylene ■ With BEGU-Cover <ul style="list-style-type: none"> □ clear opening: 450 mm □ load class: B 125 ■ Inscription "Abscheiderentleerung/Separator Discharge" ■ Weight: 120 kg 	<ul style="list-style-type: none"> ■ Lipumax P-D, -DM, -DA ■ Fapumax P-DA 	—	3300.30.00
	<ul style="list-style-type: none"> ■ Disposal shaft with load distribution plate ■ Protection against upwelling ■ Made from plastic ■ Material polyethylene ■ With BEGU-Cover <ul style="list-style-type: none"> □ clear opening: 450 mm □ load class: D 400 ■ Inscription "Abscheiderentleerung/Separator Discharge" ■ Weight: 520 kg 	<ul style="list-style-type: none"> ■ Lipumax P-D, -DM, -DA ■ Fapumax P-DA 	—	3300.30.01

	Product description	suitable for	Model	Article No.
	<ul style="list-style-type: none"> ■ Extension ■ Used with disposal shaft ■ Made from plastic ■ Material polyethylene ■ For fitting on upstream sampling shaft ■ For deep installations ■ Structure height: 100 – 650 mm (can be reduced to 45 mm by cutting off at cutting marks) ■ Weight: 12 kg 	<ul style="list-style-type: none"> ■ Lipumax P-D, -DM, -DA ■ Fapumax P-DA 	—	3301.31.00
	<ul style="list-style-type: none"> ■ Grease level sensor ■ Measuring device for grease layer thickness for grease separators for below ground installation. Suitable for liquid and hardening fats. Device with two dry contacts for report of filling status 50 % and 80 % to Building Monitoring System ■ With heated sensor head for save operation electrical connection: 230 V AC 50 Hz/12 W 	<ul style="list-style-type: none"> ■ Lipumax P, -P-SD 	cable length: 10 m 20 m 30 m	3300.11.70 3300.11.71 3300.11.72
	<ul style="list-style-type: none"> ■ Sampling equipment ■ To determine the disposal intervals of grease separators n Suitable for liquid and/or harden fats n Delineation with colour-touchpanel ■ Continuous measure in percent n With integrated SD-card (4GB) for recording of the measuring process ■ With headed sounding stick (temperature is adjustable) to increase the operation safety ■ Three free of potential contacts for outoput of pre-alarm (adjustable), fullalarm (adjustable) and error ■ Measuring stick with adjusting scale n Delineation with plug-in cable connection 3 m ■ Service voltage: 100 240 V AC 50/60 Hz, 2 A ■ Power: ca. 43 W ■ Weight: 6.5 kg 	<ul style="list-style-type: none"> ■ Lipumax P, -P-SD 	cable length: 10 m 20 m 30 m	3300.12.70 3300.12.71 3300.12.72

	Product description	suitable for	Model	Article No.
	<ul style="list-style-type: none"> ■ High-pressure hose ■ For connection between high-pressure pump (installed inside a building) and spray head of grease separator/starch separator (Lipumax-P-DM/DA and Fapumax-P-DA series) 	<ul style="list-style-type: none"> ■ Lipumax P-DM, -DA ■ Fapumax P-DA 	length: 10 m 20 m 30 m	0150.33.62 0150.33.63 0150.33.64
	<ul style="list-style-type: none"> ■ Connection box ■ From stainless steel ■ material grade 316 ■ For wall-mounted installation of disposal connection DN 65 ■ W x H x D = 370 x 330 x 250 mm 	<ul style="list-style-type: none"> ■ Lipumax P-D, -DM, -DA ■ Fapumax P-DA 	–	7601.80.20
	<ul style="list-style-type: none"> ■ Flush-mounted frame ■ From stainless steel ■ Material grade 304 ■ W x H x D = 421 x 381 x 25 mm ■ Suitable for connection box 7601.80.20 	<ul style="list-style-type: none"> ■ Lipumax P-D, -DM, -DA ■ Fapumax P-DA 	–	7601.80.21
	<ul style="list-style-type: none"> ■ Alarm device ■ For light oil separators P series, enables combined or separated control of oil, sludge and liquid level electrical connection: <ul style="list-style-type: none"> <input type="checkbox"/> 230 V/50–60 Hz <input type="checkbox"/> IP 67 <input type="checkbox"/> Cable connection: 5 m ■ Cable extensions: <ul style="list-style-type: none"> <input type="checkbox"/> 1 cable, 20 m 	<ul style="list-style-type: none"> ■ Oleopator/Oleopass P 	oil and liquid level control	6751.65.51
	<ul style="list-style-type: none"> ■ Alarm device ■ For light oil separators P-SD series, enables combined or separated control of oil, sludge and liquid level electrical connection: <ul style="list-style-type: none"> <input type="checkbox"/> 230 V/50–60 Hz <input type="checkbox"/> IP 67 <input type="checkbox"/> Cable connection: 5 m ■ Cable extensions: <ul style="list-style-type: none"> <input type="checkbox"/> 1 cable, 20 m 	<ul style="list-style-type: none"> ■ Oleopator/Oleopass P-SD 	oil and liquid level control	6751.65.52
	<ul style="list-style-type: none"> ■ Sludge level sensor ■ For all alarm devices 	<ul style="list-style-type: none"> ■ Oleopator/Oleopass P, -P-SD 	–	6752.10.00
	<ul style="list-style-type: none"> ■ DN 100 ■ Sealing ring for ventilation ■ For all grease and light oil separators and sludge traps P series 	<ul style="list-style-type: none"> ■ Lipumax P ■ Oleopator/Oleopass P ■ Fapumax P 	–	0150.34.32



Add here your local address

**ACO. creating
the future of drainage**

